

PARTS CATALOGUE

LNR125 (B924) MALAYSIA



1VB92-440E1



LNR125
PARTS CATALOGUE
©2019 by Yamaha Motor Co., Ltd.
1st edition, August 2019
All rights reserved.
Any reprinting or unauthorized use
without the written permission of
Yamaha Motor Co., Ltd.
is expressly prohibited.
Printed in Japan.

FOREWORD

This Parts Catalogue is related to the parts for the model(s) on the cover page. When you are ordering replacement parts, please refer to this Parts Catalogue and quote both part numbers and part names correctly.

1. Modifications or additions which have been made after the issue of the Parts Catalogue will be announced in the Parts News.
It is advisable that you make the necessary corrections to the Parts Catalogue according to the Parts News.

2. Abbreviations

The following abbreviations are used in this Parts Catalogue.

“UR” Use specified parts number.

“UN” Use as many as needed.

“AP” Alternate Parts

“LM” Locally Made (Parts need to be ordered locally)

“F#” Frame No. (Applicable machine No.)

“O/S” Over Size

3. The number of components for assembly

- Parts, which are to be supplied in an assembly, are listed with a dot (.) in front of the part name as shown below.
- The numeral appearing to the right of each component part indicates the quantity of parts for each assembly unit.

PART NO.	DESCRIPTION	Q'TY	REMARKS
2F5-83310-60	FRONT FLASHER LIGHT ASSY	2	
115-83311-60	.BULB (6V-18W)	1	

4. Applicable colours of graphics are represented in the “REMARKS” as shown below.

PART NO.	DESCRIPTION	Q'TY	REMARKS
2N4-24110-00-X5	FUEL TANK COMP.	2	MXR
3J1-24240-10	.GRAPHIC, FUEL TANK	1	FOR MXR

5. Note that the illustrations for reference in finding parts numbers are not to be used for assembling. When assembling, please use the applicable service manual.

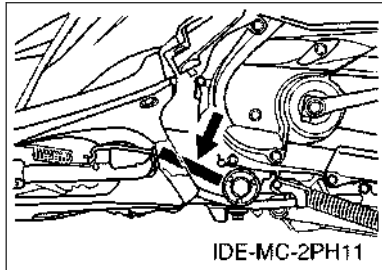
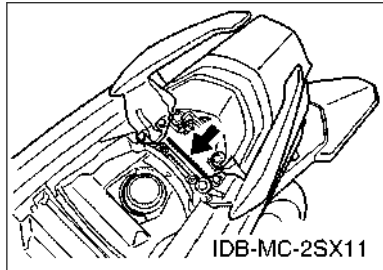
6. The asterisk (*) before a reference number indicates modified items after the first edition.

FOREWORD

7. Applicable Serial No.

Frame Serial No.

Engine Serial No.



8. Applicable Colour Code (The (*) mark shows Model colour.)

Abbreviation	Colour Name	Colour Code
CM6(*)	CYAN METALLIC 6	1344
LLGS6	LIGHT LEAF GREEN SOLID 6	1510
MBL2(*)	MAT BLACK 2	0582
MNM3	MAT GRAY METALLIC 3	1278
RM7(*)	RED METALLIC 7	1218
S3	SILVER 3	0791
SMX	BLACK METALLIC X	0903
VPBC5(*)	VIVID PURPLISH BLUE COCKTAIL 5	1177
YB	YAMAHA BLACK	0033

9. Applicable Starting Serial No.

Frame Serial No.

Serial No.	Name Of Q'ty Column	Model Code
	B924	B924

Engine Serial No.

Serial No.	Name Of Q'ty Column	Model Code
	B924	B924

CONTENTS

ENGINE

CYLINDER.....	1
CRANKSHAFT & PISTON.....	2
VALVE.....	3
CAMSHAFT & CHAIN.....	4
AIR SHROUD & FAN.....	5
OIL PUMP.....	6
INTAKE.....	7
EXHAUST.....	9
CRANKCASE.....	10
CRANKCASE COVER 1.....	12
STARTER.....	13
CLUTCH.....	14
TRANSMISSION.....	16

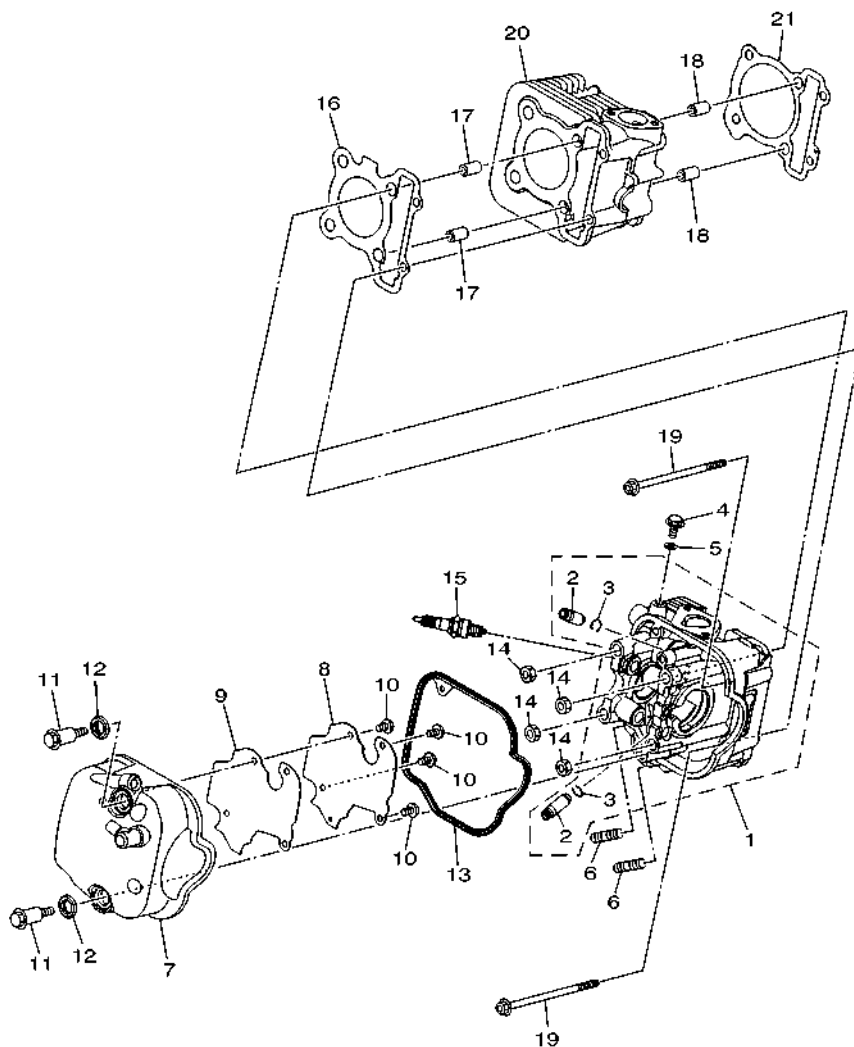
CHASSIS

FRAME.....	17
FENDER.....	18
SIDE COVER.....	19
REAR SUSPENSION.....	21
STEERING.....	22
FUEL TANK.....	24
SEAT.....	25
FRONT WHEEL.....	26
FRONT BRAKE CALIPER.....	27
REAR WHEEL.....	28
STEERING HANDLE & CABLE.....	29
FRONT MASTER CYLINDER.....	31
STAND & FOOTREST.....	32
LEG SHIELD.....	34
GENERATOR.....	37
STARTING MOTOR.....	38
FLASHER LIGHT.....	39
METER.....	41
HEADLIGHT.....	42
TAILLIGHT.....	43
HANDLE SWITCH & LEVER.....	44
ELECTRICAL 1.....	45
ELECTRICAL 2.....	46

INDEX

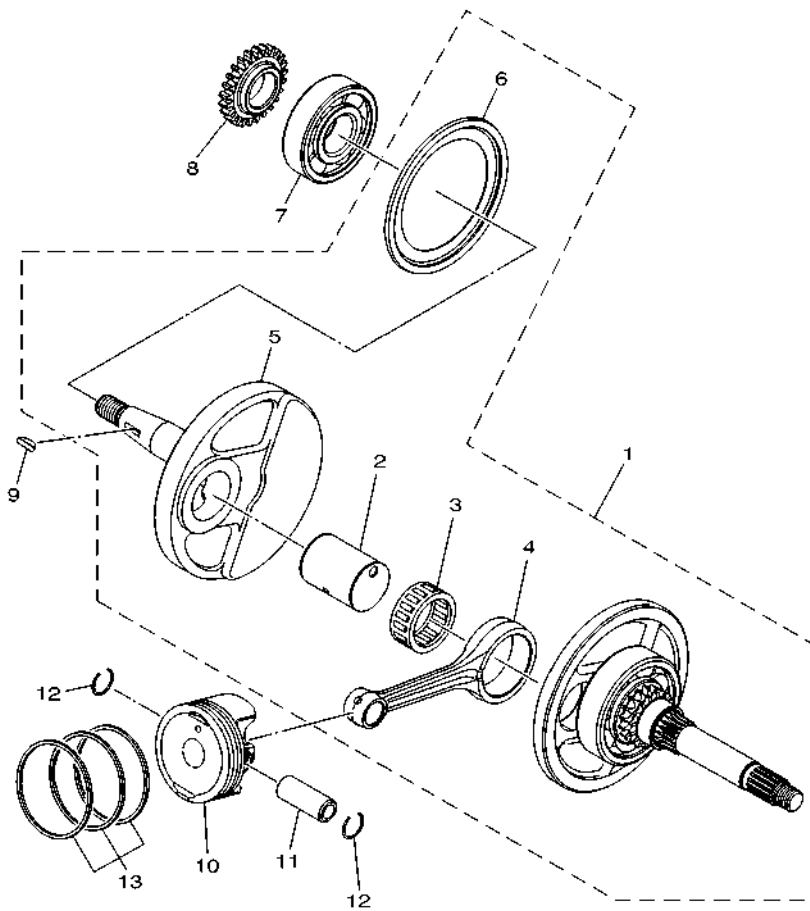
NUMERICAL INDEX.....	47
----------------------	----

FIG. 1 CYLINDER




2SX4460-R010

REF. NO.	PART NO.	DESCRIPTION	B924	REMARKS
1	B92-E1102-00	CYLINDER HEAD ASSY	1	
2	1DR-E1133-10	.GUIDE, VALVE 1	2	
3	93440-10153	.CIRCLIP	2	
4	95E32-06010	BOLT, FLANGE DEEP RECESS	1	
5	90430-06803	GASKET	1	
6	95612-08618	BOLT, STUD	2	
7	2PH-E1191-00	COVER, CYLINDER HEAD 1	1	
8	2PH-E1165-00	PLATE, BREATHER	1	
9	2PH-E1169-00	GASKET, BREATHER COVER	1	
10	90149-05801	SCREW	4	
11	2PH-E119E-10	BOLT, COVER HEAD	2	
12	2BM-E111G-00	RUBBER, MOUNT 1	2	
13	2BM-E1193-00	GASKET, HEAD COVER 1	1	
14	95302-08600	NUT, HEXAGON	4	
15	94700-00372	PLUG, SPARK (NGK CR6HSA)	1	
16	2BL-E1181-00	GASKET, CYLINDER HEAD 1	1	
17	91810-14809	PIN, DOWEL	2	
18	91810-14809	PIN, DOWEL	2	
19	90110-06868	BOLT, HEXAGON SOCKET HEAD	2	
20	2PH-E1311-10	CYLINDER 1	1	
21	2PH-E1351-10	GASKET, CYLINDER	1	




 BJ81460-R020

FIG. 2 CRANKSHAFT & PISTON

REF. NO.	PART NO.	DESCRIPTION	B924				REMARKS
1	2PH-E1400-31	CRANKSHAFT ASSY	1				UR Either can use
	2PH-E1400-60	CRANKSHAFT ASSY	1				UR Either can use
2	2BM-E1681-10	.PIN, CRANK 1	1				
3	93310-528YP	.BEARING	1				
4	2PH-E1651-20	.ROD, CONNECTING	1				
5	2PH-E1422-10	.CRANK 2	1				UR 2PH-E1400-31
	2PH-E1422-20	.CRANK 2	1				UR 2PH-E1400-60
6	5LW-E3452-00	.COVER, ROTOR FILTER	1				
7	93306-372X5	BEARING	1				
8	2BM-E3324-10	GEAR, PUMP DRIVE	1				
9	90280-03017	KEY, WOODRUFF	1				
10	2PH-E1631-00	PISTON (STD)	1				
11	2PH-E1633-00	PIN, PISTON	1				
12	93450-14088	CIRCLIP	2				
13	2PH-E1603-10	PISTON RING SET (STD)	1				

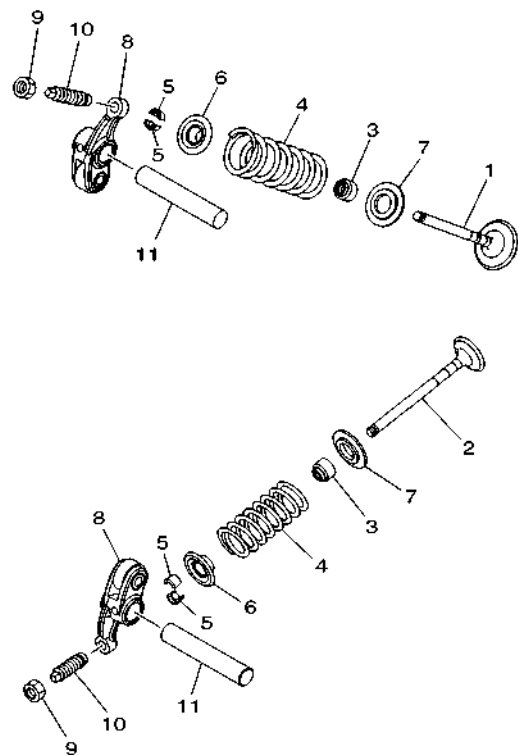


FIG. 3 VALVE

REF. NO.	PART NO.	DESCRIPTION	B924				REMARKS
1	2PH-E2111-00	VALVE, INTAKE	1				
2	2PH-E2121-10	VALVE, EXHAUST	1				
3	54P-E2119-00	SEAL, VALVE STEM	2				
4	54P-E2113-00	SPRING, VALVE INNER	2				
5	5TL-E2118-00	LOCK, VALVE SPRING RETAINER	4				
6	54P-E2117-00	RETAINER, VALVE SPRING	2				UR Either can use
	1KP-E2117-00	RETAINER, VALVE SPRING	2				UR Either can use
7	2PH-E2126-00	SEAT, VALVE SPRING 2	2				
8	2PH-E2151-00	ARM, VALVE ROCKER	2				
9	90170-05803	NUT	2				
10	33S-E2159-10	SCREW, VALVE ADJUSTING	2				UR Either can use
	33S-E2159-01	SCREW, VALVE ADJUSTING	2				UR Either can use
11	2PH-E2146-00	SHAFT, ROCKER	2				



2BM1422-P030

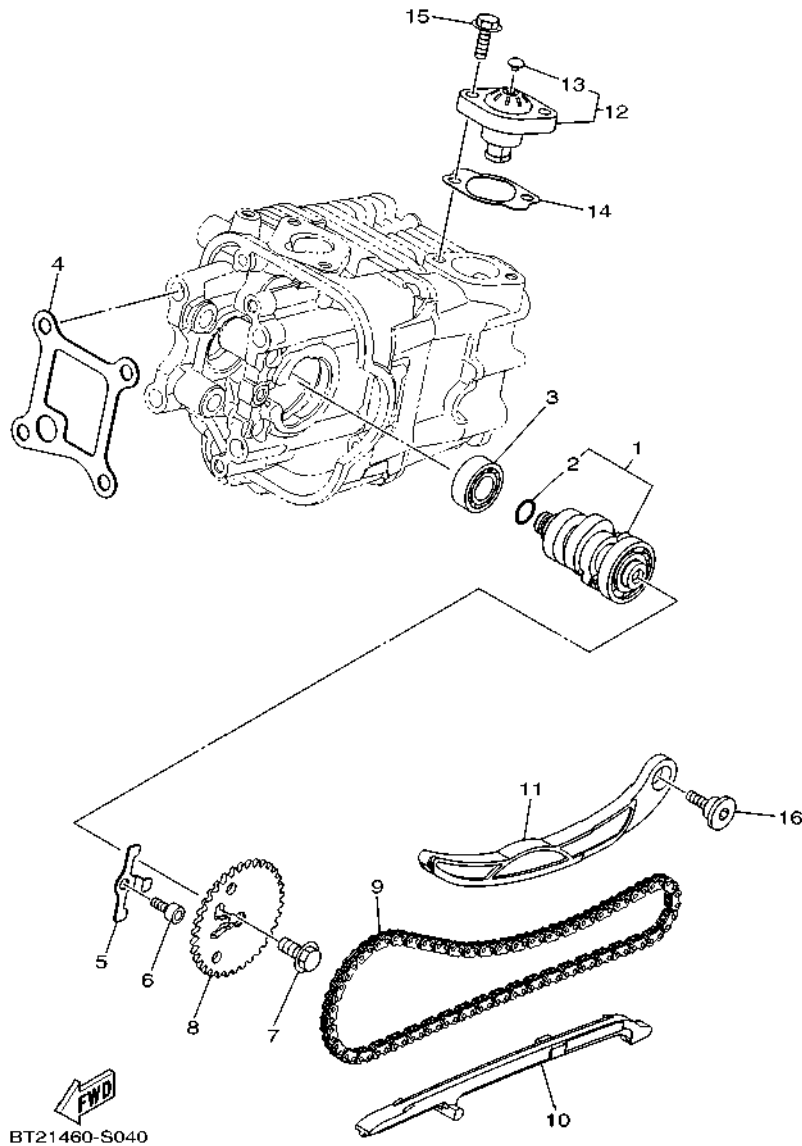
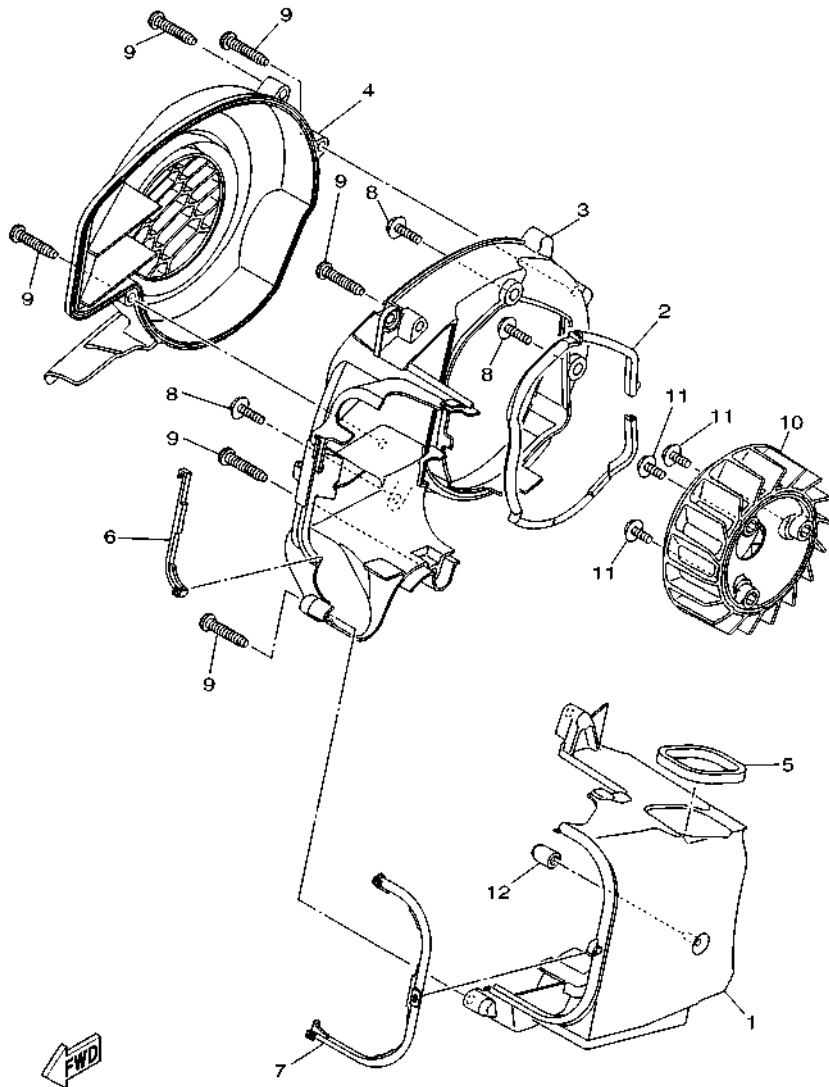


FIG. 4 CAMSHAFT & CHAIN

REF. NO.	PART NO.	DESCRIPTION	B924				REMARKS
1	2PH-E2170-00	CAMSHAFT ASSY 1	1				
2	93210-09806	.O-RING	1				
3	93306-001YE	BEARING	1				UR Either can use
	93306-001X9	BEARING	1				UR Either can use
4	2PH-E111F-00	PLATE	1				
5	2PH-E112F-00	PLATE 2	1				
6	91312-06012	BOLT, HEXAGON SOCKET HEAD	1				
7	90105-07801	BOLT, FLANGE	1				
8	2PH-E2176-01	SPROCKET, CAM CHAIN (34T)	1				
9	94568-J7092	CHAIN	1				
10	54P-E2231-00	GUIDE, STOPPER 1	1				
11	2PH-E2241-00	GUIDE, STOPPER 2	1				
12	2BM-E2210-10	TENSIONER ASSY, CAM CHAIN	1				UR Either can use
	2BM-E2210-20	TENSIONER ASSY, CAM CHAIN	1				UR Either can use
13	5MX-E2222-00	.PLUG	1				
14	2PH-E2213-10	GASKET, TENSIONER CASE	1				
15	95E32-06020	BOLT, FLANGE DEEP RECESS	2				
16	54P-E2228-00	BOLT	1				UR Either can use
	52B-E2228-00	BOLT	1				UR Either can use

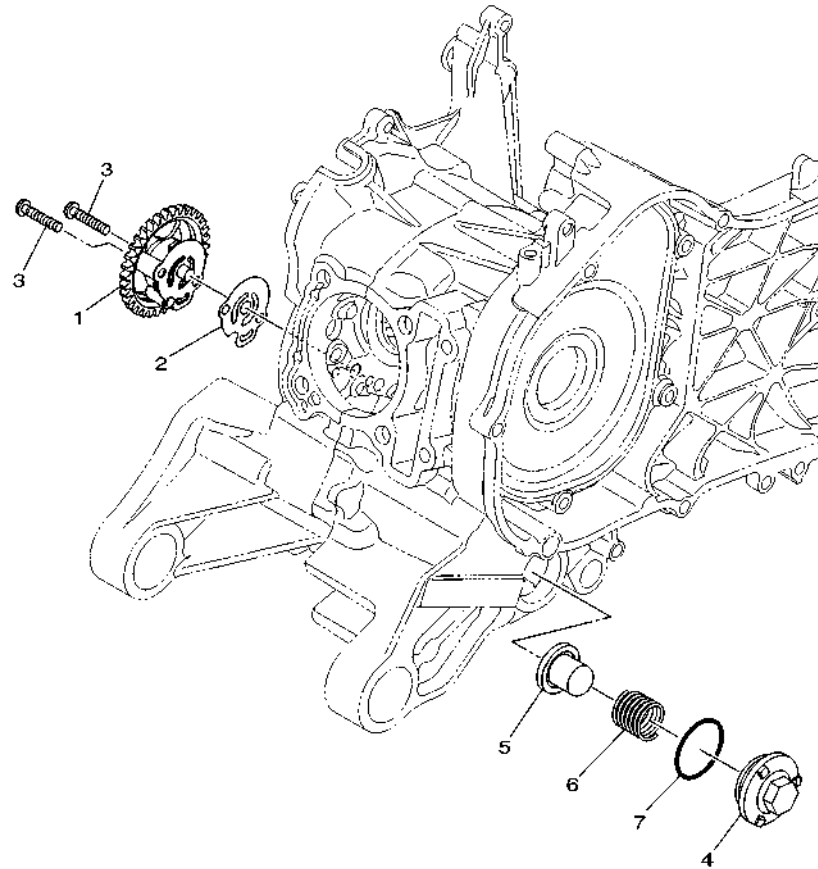


2PH1460-P050

FIG. 5 AIR SHROUD & FAN

REF. NO.	PART NO.	DESCRIPTION	B924	REMARKS
1	2PH-E2651-00	AIR SHROUD, CYLINDER 1	1	
2	2PH-E2658-00	DAMPER, AIR SHROUD 1	1	
3	2PH-E2652-00	AIR SHROUD, CYLINDER 2	1	
4	2PH-E2653-00	AIR SHROUD, CYLINDER 3	1	
5	90520-05819	DAMPER, PLATE	1	
6	2PH-E2659-10	DAMPER, AIR SHROUD 2	1	UR Either can use
	2SX-E2659-10	DAMPER, AIR SHROUD 2	1	UR Either can use
7	2PH-E2668-10	DAMPER, AIR SHROUD 3	1	
8	95E32-06020	BOLT, FLANGE DEEP RECESS	3	
9	97702-60530	SCREW, TAPPING	6	
10	2PH-E2611-10	FAN	1	
11	95D32-06016	BOLT, FLANGE DEEP RECESS	3	
12	5LW-E3569-00	PLUG, BLIND	1	

FIG. 6 OIL PUMP




2BM1422-P050

REF. NO.	PART NO.	DESCRIPTION	B924				REMARKS
1	2PH-E3300-10	OIL PUMP ASSY	1				
2	BF4-E3475-00	GASKET	1				
3	98502-05020	SCREW, PAN HEAD	2				
4	54P-E5351-00	PLUG, DRAIN	1				
5	54P-E3411-00	STRAINER, OIL	1				
6	90501-16004	SPRING, COMPRESSION	1				
7	93210-29800	O-RING	1				

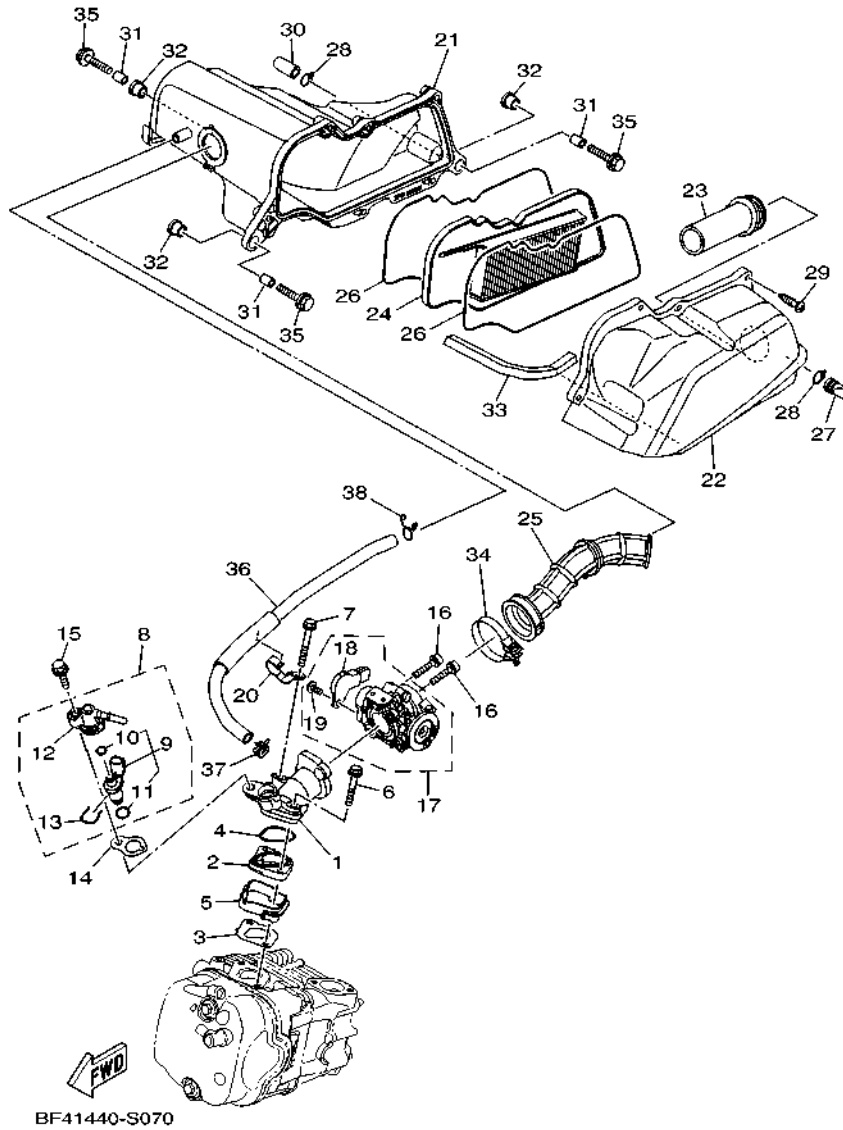


FIG. 7 INTAKE

REF. NO.	PART NO.	DESCRIPTION	B924				REMARKS
1	2PH-E3585-10	MANIFOLD	1				
2	2PH-E3595-00	JOINT	1				
3	2PH-E3556-10	GASKET, MANIFOLD	1				
4	93210-35883	O-RING	1				
5	2PH-E3593-00	DAMPER	1				
6	95D32-06035	BOLT, FLANGE DEEP RECESS	1				
7	95D32-06045	BOLT, FLANGE DEEP RECESS	1				
8	2PH-E3770-10	INJECTOR ASSY	1				
9	2PH-E3761-10	.INJECTOR	1				
10	54P-E4147-00	.O-RING	1				
11	5CA-E4147-00	.O-RING	1				
12	54P-E3938-00	.PIPE	1				
13	54P-E4137-00	.CLIP	1				
14	2PH-E3557-10	GASKET	1				
15	95D32-06025	BOLT, FLANGE DEEP RECESS	1				
16	90110-06846	BOLT, HEXAGON SOCKET HEAD	2				
17	2PH-E3750-00	THROTTLE BODY ASSY	1				
18	2PH-H5885-00	.THROTTLE SENSOR ASSY	1				
19	1PM-14216-00	.SCREW	1				
20	2PH-E4146-00	PLATE	1				
21	2PH-E4411-00	CASE, AIR CLEANER 1	1				
22	2PH-E4412-00	CAP, CLEANER CASE 1	1				
23	2PH-E4437-00	DUCT	1				
24	2PH-E4450-20	ELEMENT ASSY, AIR CLEANER	1				
25	2PH-E4453-00	JOINT, AIR CLEANER 1	1				
26	2PH-E4452-00	SEAL	2				
27	5TP-E443G-00	PIPE, DRAIN 2	1				

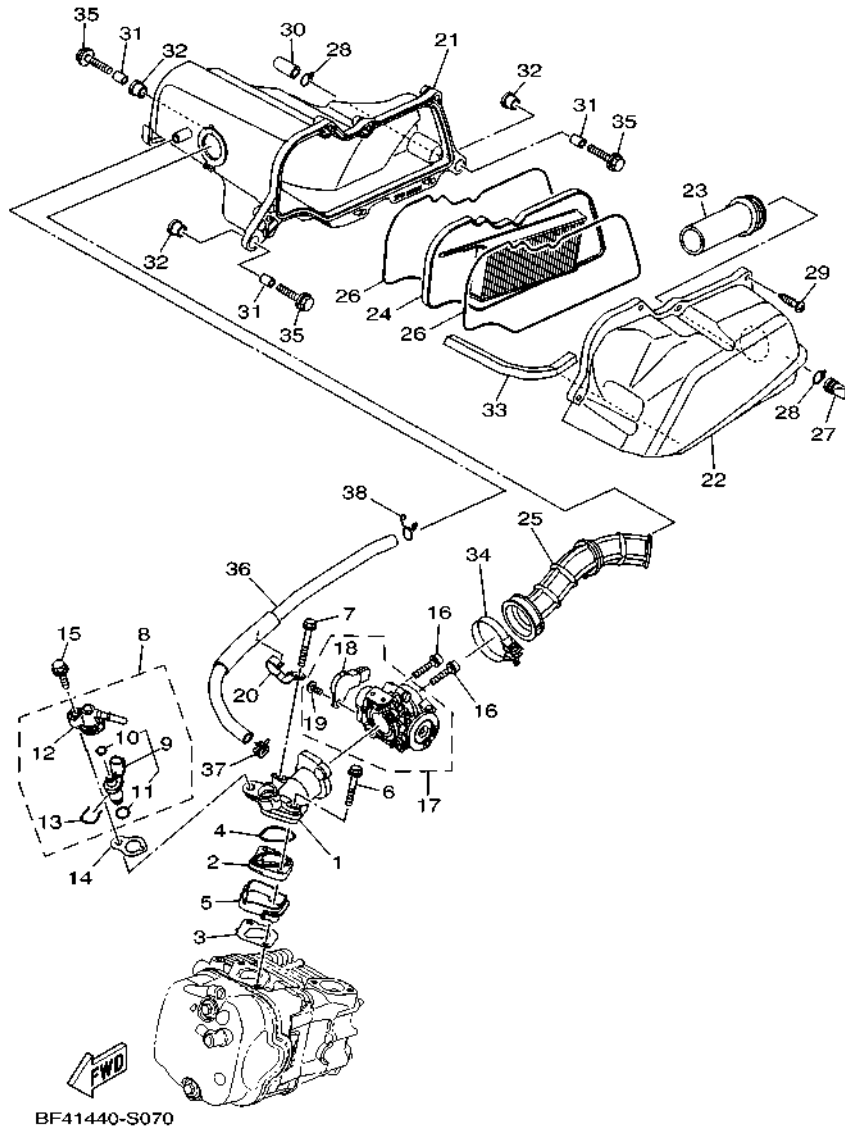
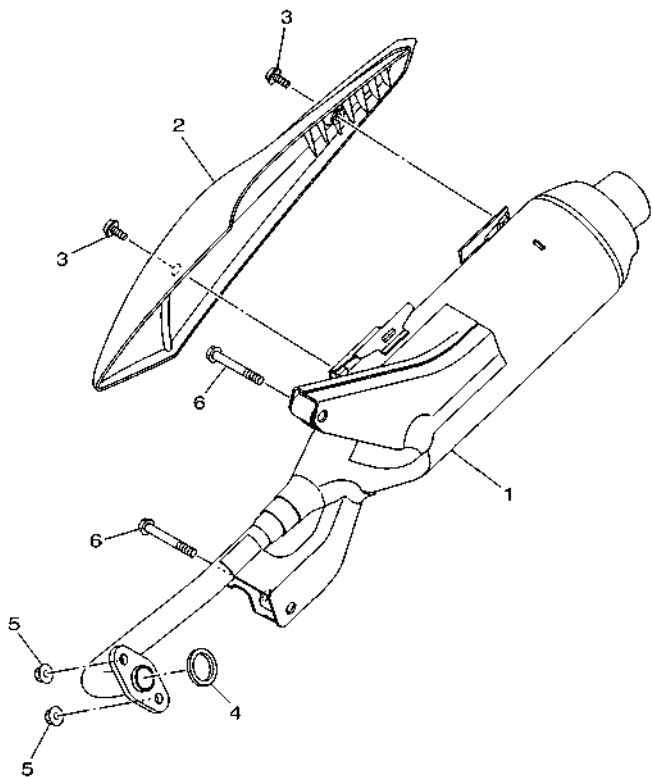


FIG. 7 INTAKE

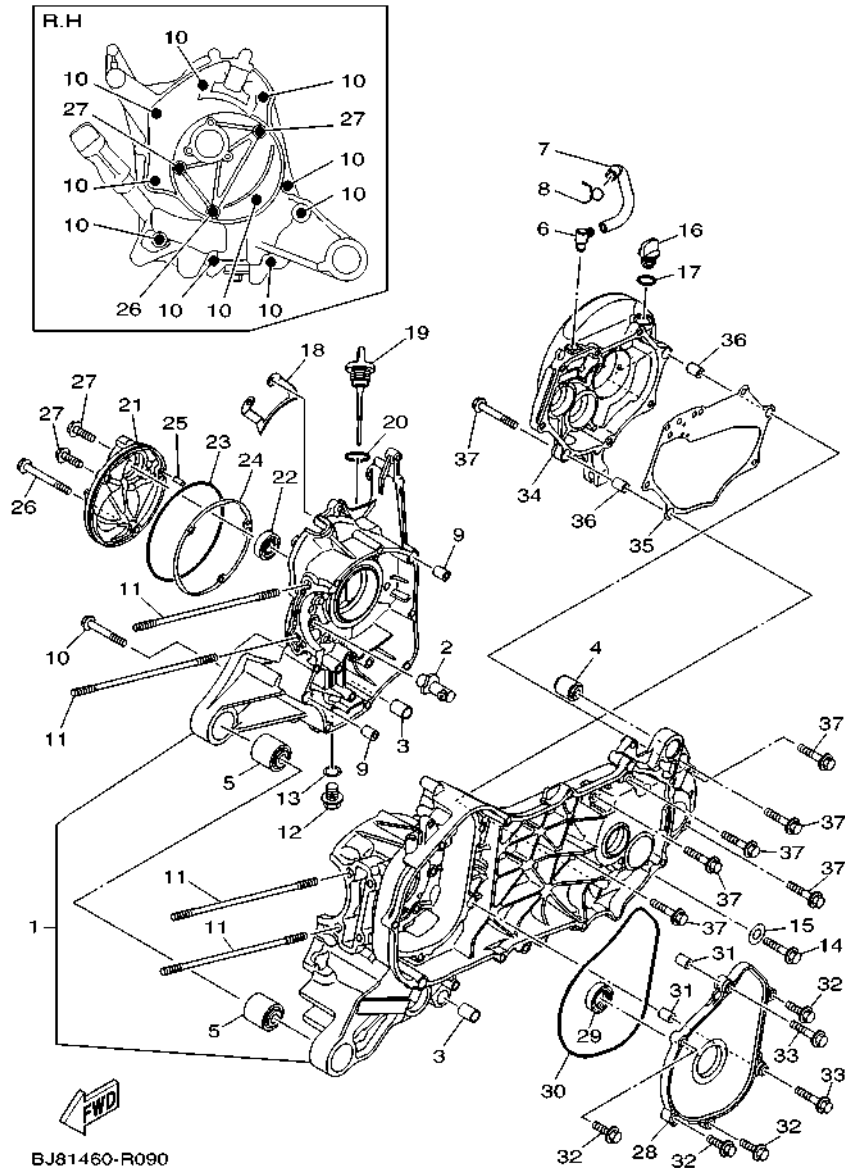
REF. NO.	PART NO.	DESCRIPTION	B924				REMARKS
28	90467-12807	CLIP	2				
29	97707-50025	SCREW, TAPPING	6				
30	5TL-E443E-00	PIPE, DRAIN	1				
31	90387-064W3	COLLAR	3				
32	90480-13013	GROMMET	3				
33	90520-10825	DAMPER, PLATE	1				
34	90450-46803	HOSE CLAMP ASSY	1				
35	95D32-06025	BOLT, FLANGE DEEP RECESS	3				
36	2PH-E1166-10	PIPE, BREATHER 1	1				UR Either can use
	2SX-E1166-10	PIPE, BREATHER 1	1				UR Either can use
37	90467-13808	CLIP	1				
38	90467-13858	CLIP	1				

FIG. 8 EXHAUST



2PH1460-P080

REF. NO.	PART NO.	DESCRIPTION	B924					REMARKS
1	B92-E4711-00	MUFFLER 1	1					
2	B92-E4718-00	PROTECTOR, MUFFLER 1	1					
3	90111-06811	BOLT,HEX. SOCKET BUTTON	2					
4	B92-E4613-00	GASKET, EXHAUST PIPE	1					
5	95702-08500	NUT, FLANGE	2					
6	95D32-08055	BOLT, FLANGE DEEP RECESS	2					

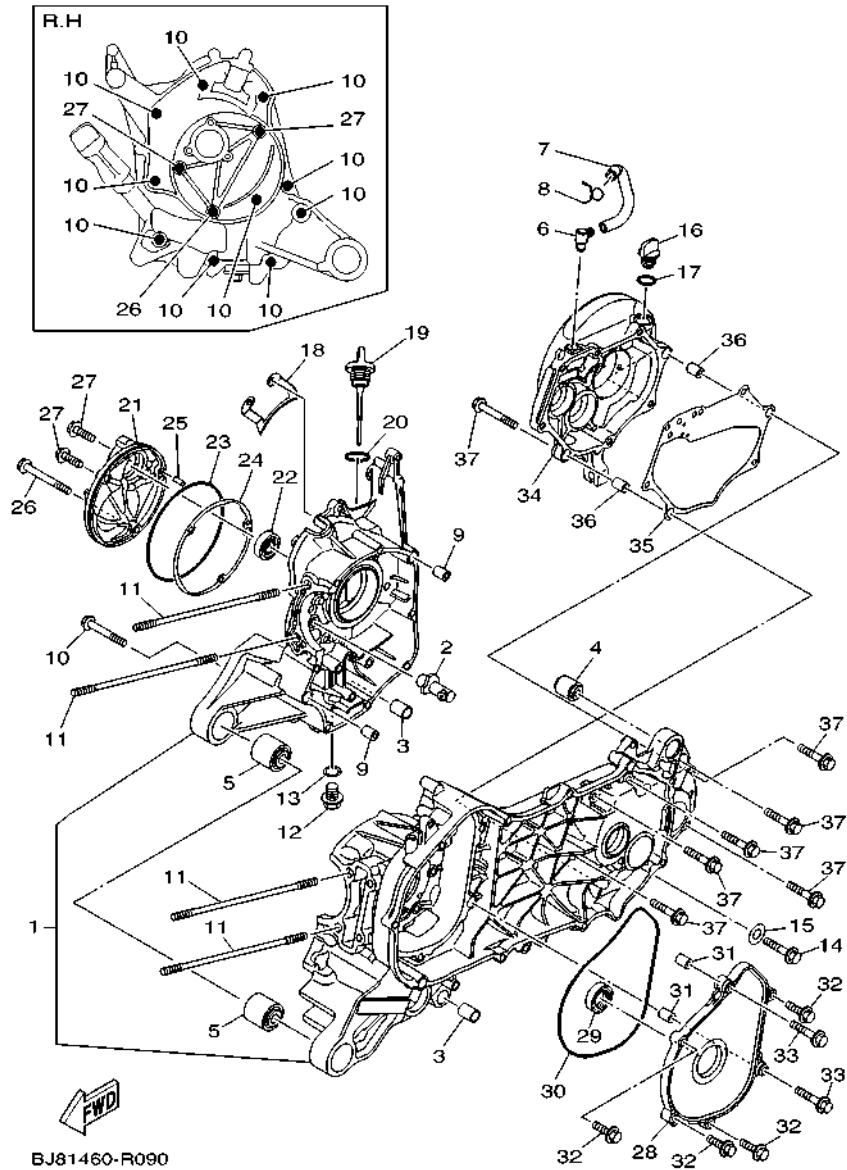


BJ81460-R090

FIG. 9 CRANKCASE

REF. NO.	PART NO.	DESCRIPTION	B924	REMARKS
1	2PH-E5150-00	CRANKCASE ASSY	1	
2	2PH-E5155-00	NOZZLE 3	1	
3	1GC-F7121-00	BUSH	2	UR Either can use
	54P-F7121-00	BUSH	2	UR Either can use
4	5MX-F2216-00	BUSH, REAR SHOCK ABSORBER	1	UR Either can use
	90388-08803	DAMPER	1	UR Either can use
5	90388-10805	DAMPER	2	
6	54P-E5371-00	BREATHER	1	
7	2PH-E5373-00	PIPE, BREATHER	1	UR Either can use
	2SX-E5373-00	PIPE, BREATHER	1	UR Either can use
8	90467-11825	CLIP	1	
9	91810-14809	PIN, DOWEL	2	
10	95E32-06060	BOLT, FLANGE DEEP RECESS	10	
11	90116-08843	BOLT, STUD	4	
12	90340-12816	PLUG, STRAIGHT SCREW	1	
13	90430-12803	GASKET	1	
14	95812-06040	BOLT, FLANGE	1	
15	90430-06803	GASKET	1	
16	5LW-E5363-00	PLUG, OIL	1	
17	93210-148H8	O-RING	1	
18	2PH-E5113-00	PLATE	1	
19	2PH-E5362-10	PLUG, OIL LEVEL	1	
20	5LW-E3769-00	O-RING	1	
21	2PH-E5417-00	COVER, CAP	1	
22	93102-19814	OIL SEAL	1	UR Either can use
	93102-19817	OIL SEAL	1	UR Either can use
23	93211-07800	O-RING	1	

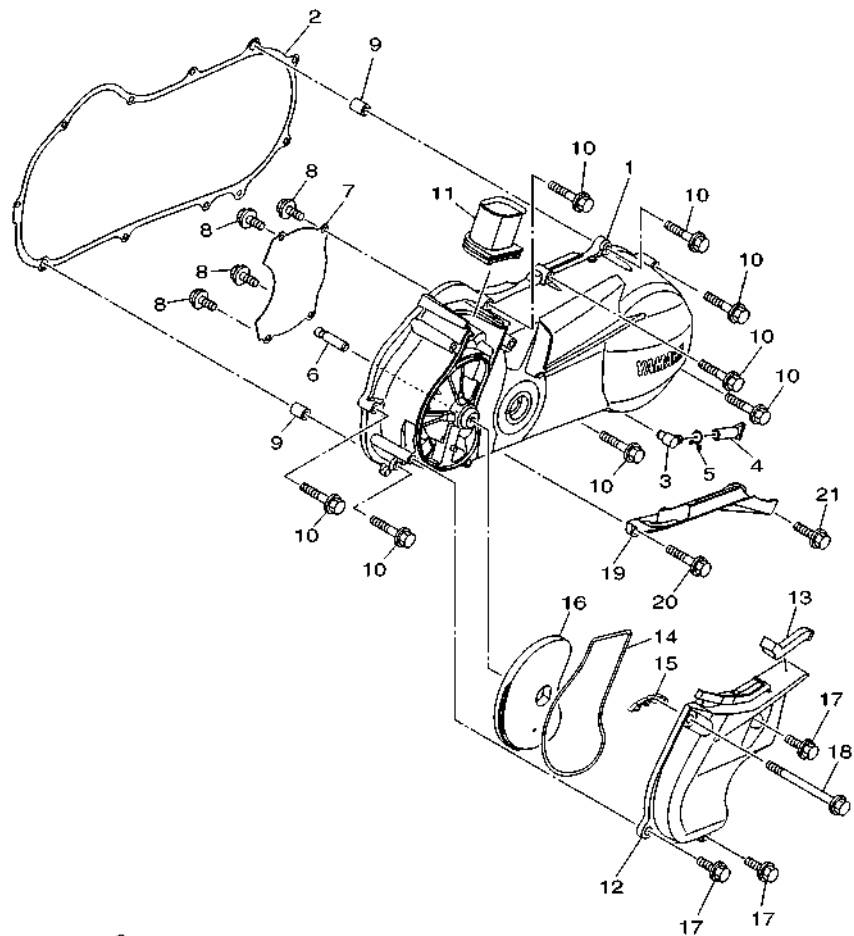
FIG. 9 CRANKCASE



BJ81460-R090

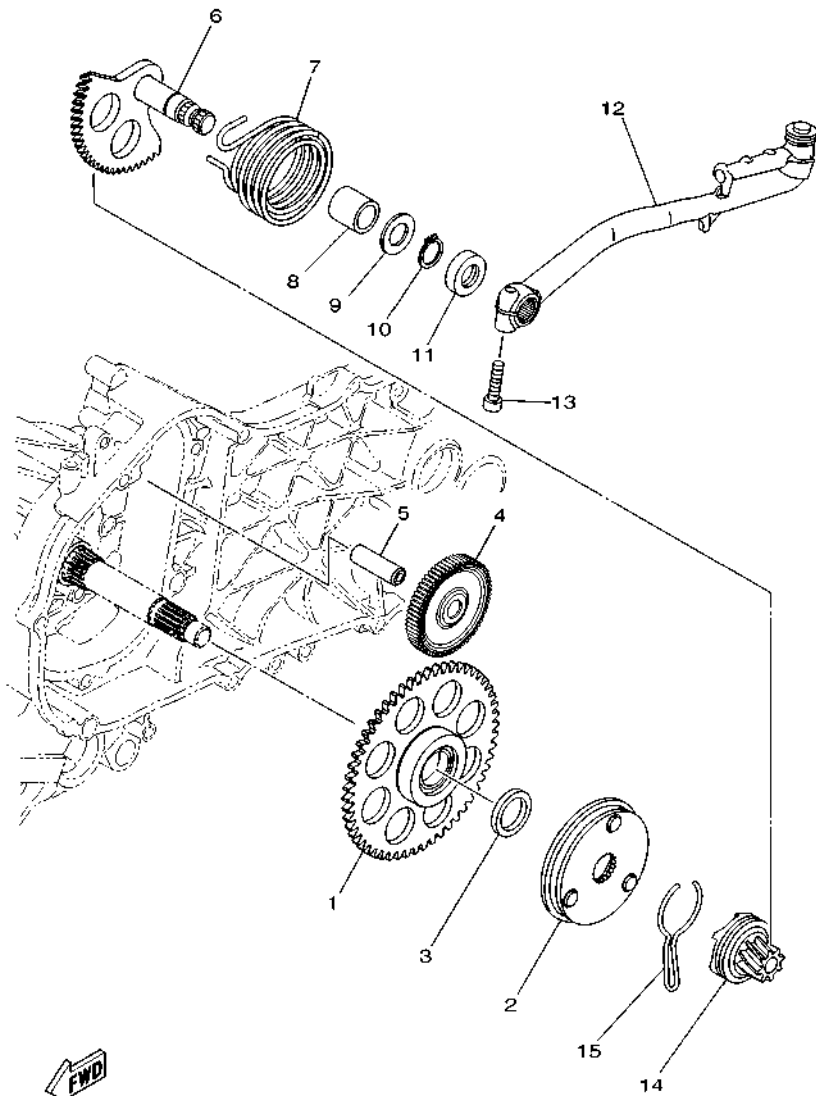
REF. NO.	PART NO.	DESCRIPTION	B924	REMARKS
24	2PH-E5453-10	GASKET	1	
25	99480-05010	PIN	1	
26	95E32-06070	BOLT, FLANGE DEEP RECESS	1	
27	95E32-06020	BOLT, FLANGE DEEP RECESS	2	
28	2PH-E5423-00	COVER 2	1	
29	93102-25816	OIL SEAL	1	UR Either can use
	93102-25819	OIL SEAL	1	UR Either can use
30	93211-47801	O-RING	1	
31	91810-14809	PIN, DOWEL	2	
32	95E32-06025	BOLT, FLANGE DEEP RECESS	4	
33	95E32-06035	BOLT, FLANGE DEEP RECESS	2	
34	2PH-E5421-00	COVER, CRANKCASE 2	1	
35	2PH-E5461-10	GASKET, CRANKCASE COVER 2	1	
36	91810-14809	PIN, DOWEL	2	
37	95E32-06035	BOLT, FLANGE DEEP RECESS	7	

FIG. 10 CRANKCASE COVER 1



FWD
2PH1460-P100

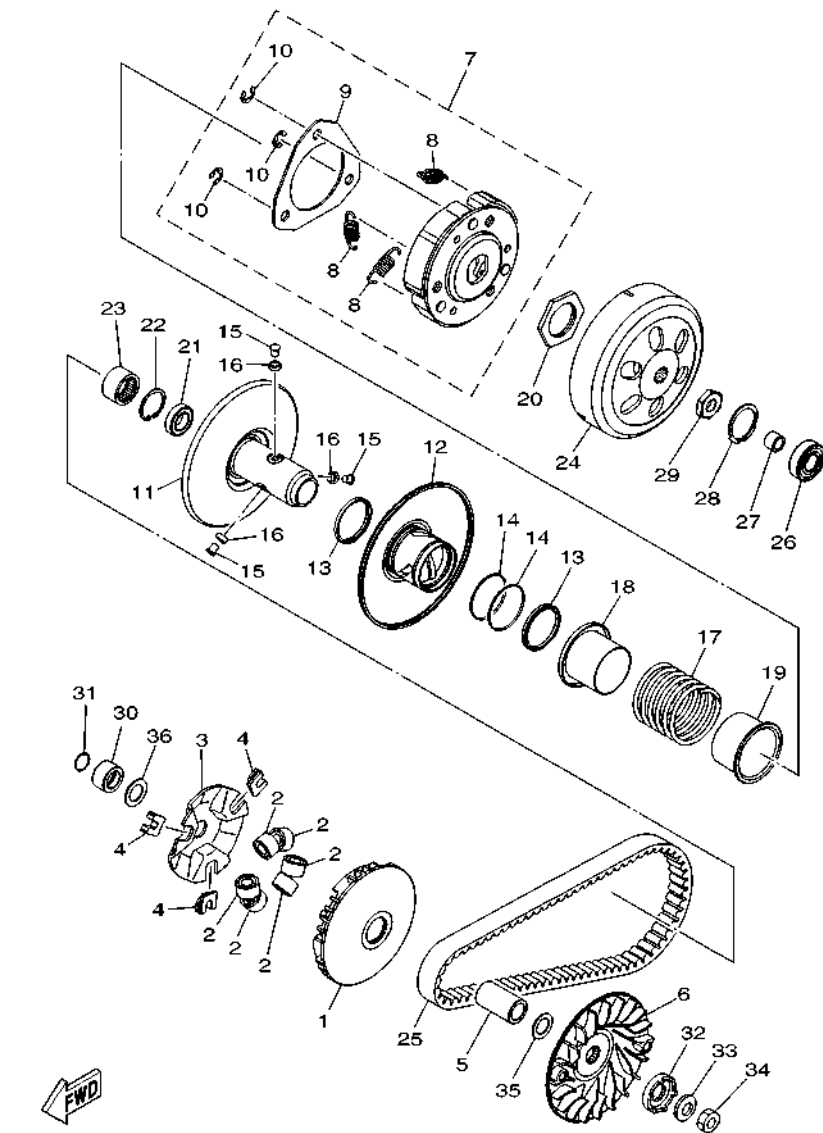
REF. NO.	PART NO.	DESCRIPTION	B924				REMARKS
1	B92-E5411-00	COVER, CRANKCASE 1	1				
2	2PH-E5451-10	GASKET, CRANKCASE COVER 1	1				
3	54P-E5371-00	BREATHER	1				
4	4ST-E443E-00	PIPE, DRAIN	1				
5	90467-110A3	CLIP	1				
6	5LW-15659-01	SHAFT	1				UR Either can use
	1GC-E5659-00	SHAFT	1				UR Either can use
7	2PH-E5191-10	PLATE	1				
8	95E32-06010	BOLT, FLANGE DEEP RECESS	4				
9	91810-14809	PIN, DOWEL	2				
10	95E32-06035	BOLT, FLANGE DEEP RECESS	8				
11	2PH-E5473-00	DUCT, AIR	1				
12	2PH-E5471-00	DUCT, AIR	1				
13	2PH-E5316-00	DAMPER 1	1				
14	2PH-E5472-00	SEAL, AIR DUCT	1				
15	2PH-E5495-00	SEAL, PROTECTOR 1	1				
16	2PH-E5407-00	ELEMENT 1	1				
17	95D32-06020	BOLT, FLANGE DEEP RECESS	3				
18	95D32-06090	BOLT, FLANGE DEEP RECESS	1				
19	2PH-E5413-00	COVER	1				
20	95E32-06045	BOLT, FLANGE DEEP RECESS	1				
21	95E32-06020	BOLT, FLANGE DEEP RECESS	1				



2PH1460-P110

FIG. 11 STARTER

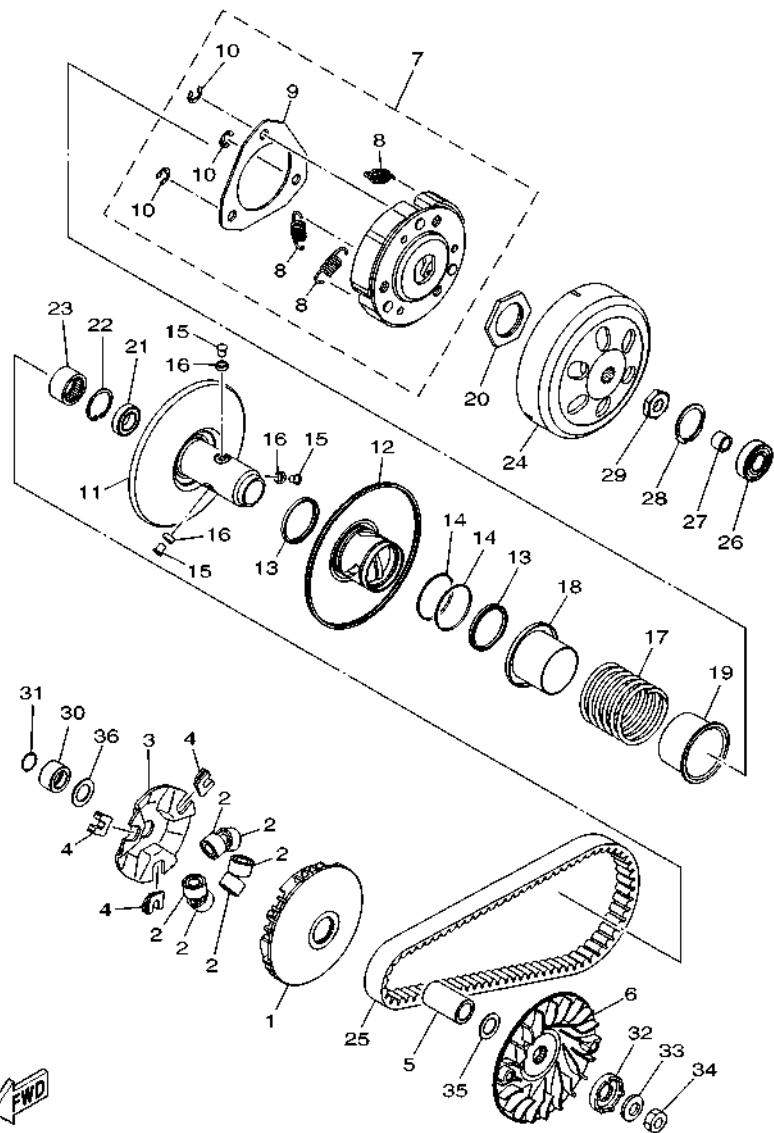
REF. NO.	PART NO.	DESCRIPTION	B924				REMARKS
1	2PH-E5520-20	STARTER WHEEL ASSY	1				
2	2PH-E5570-00	STARTER CLUTCH ASSY	1				UR Either can use
	2PH-E5570-11	STARTER CLUTCH ASSY	1				UR Either can use
3	44D-E5598-00	COLLAR	1				UR Either can use
	1GC-E5598-00	COLLAR	1				UR Either can use
4	2BM-E5512-00	GEAR, IDLER 1	1				
5	44D-E5521-00	SHAFT 1	1				UR Either can use
	1GC-E5521-00	SHAFT 1	1				UR Either can use
6	2PH-E5601-10	KICK SHAFT ASSY	1				
7	90508-32768	SPRING, TORSION	1				
8	90380-15811	BUSH, SOLID	1				
9	90201-154E8	WASHER, PLATE (T=1.0)	1				
10	99009-15400	CIRCLIP	1				
11	93102-15801	OIL SEAL	1				
12	2BL-E5620-10	KICK CRANK ASSY	1				
13	91332-06025	BOLT	1				
14	2PH-E5630-00	KICK PINION ASSY	1				
15	5MX-E5673-00	CLIP	1				



2SX1460-P120

FIG. 12 CLUTCH

REF. NO.	PART NO.	DESCRIPTION	B924				REMARKS
1	2PH-E7620-00	PRIMARY SLIDING SHEAVE COMP.	1				
2	2SX-E7632-10	WEIGHT	6				
3	2PH-E7623-00	CAM	1				
4	2PH-E7653-00	SLIDER	3				
5	2PH-E7674-00	COLLAR, GUIDE	1				
6	2SX-E7611-10	SHEAVE, PRIMARY FIXED	1				
7	BJ8-E6620-00	CLUTCH CARRIER ASSY	1				
8	2PH-E6626-00	.SPRING, CLUTCH WEIGHT 1	3				
9	2PH-E6523-00	.PLATE, WEIGHT THRUST	1				
10	2PH-E6819-00	.CIRCLIP, CLUTCH	3				
11	BJ8-E7660-00	SECONDARY FIXED SHEAVE COMP.	1				
12	BJ8-E7670-00	SECONDARY SLIDING SHEAVE	1				
13	2PH-E7465-00	SEAL	2				
14	2PH-E7465-10	SEAL	2				
15	2PH-E7664-00	PIN, GUIDE	3				
16	2PH-E7674-10	COLLAR, GUIDE	3				
17	2PH-E7683-00	SPRING, SECONDARY	1				
18	2PH-E7684-00	SEAT, SECONDARY SPRING	1				
19	2PH-E7644-00	SEAT, SPRING	1				
20	2PH-E7668-00	NUT	1				
21	2PH-E7678-00	BEARING	1				
22	2PH-E5744-00	CIRCLIP	1				
23	2PH-E7678-10	BEARING	1				
24	2PH-E6611-00	CLUTCH HOUSING COMP.	1				
25	2PH-E7641-00	V-BELT	1				
26	93306-252YB	BEARING	1				
27	90380-10803	BUSH, SOLID	1				

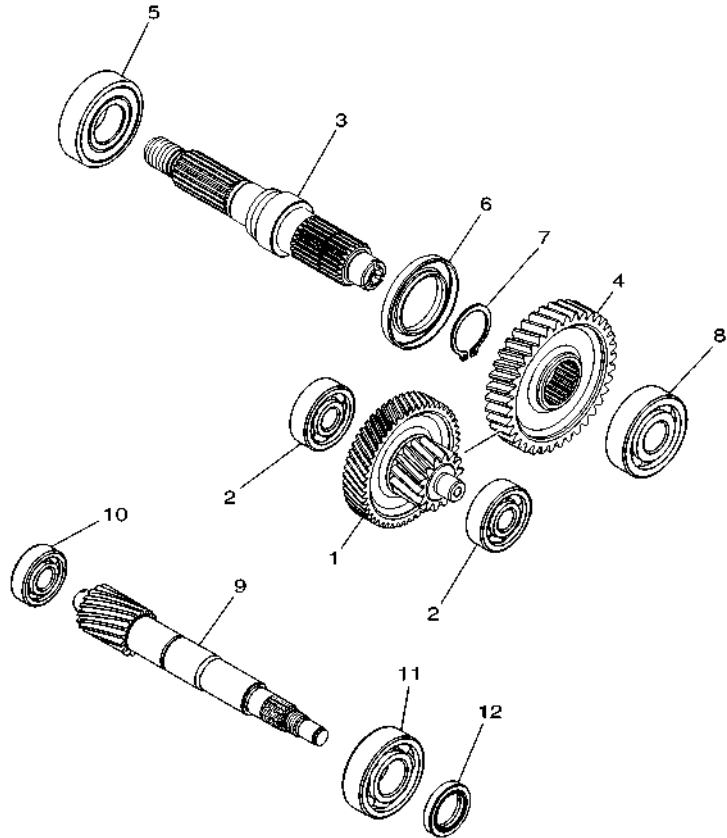


2SX1460-P120

FIG. 12 CLUTCH

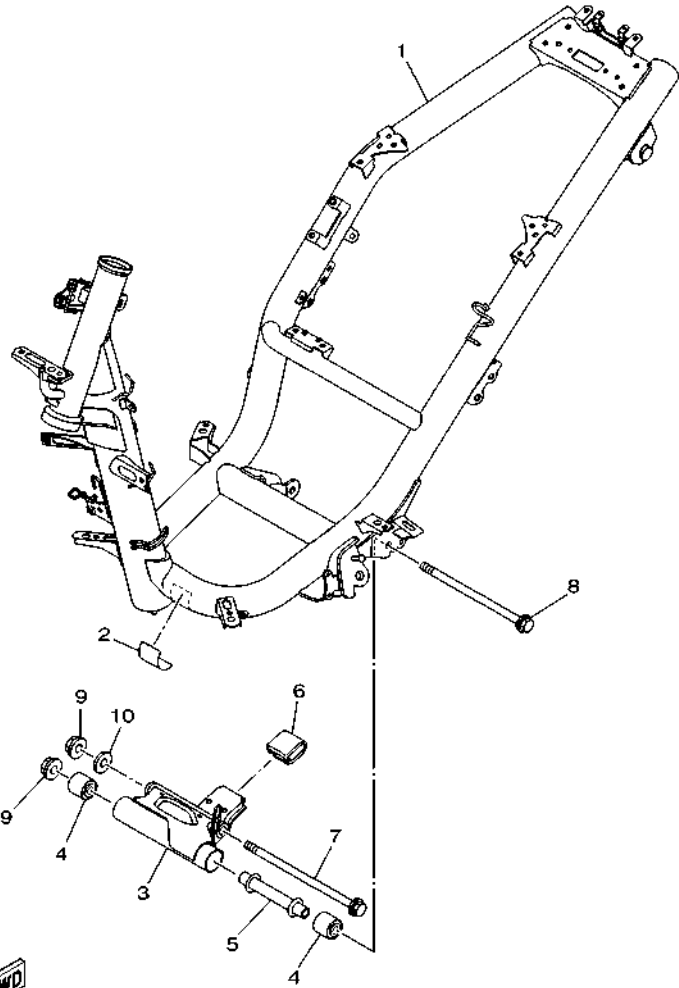
REF. NO.	PART NO.	DESCRIPTION	B924				REMARKS
28	99009-35700	CIRCLIP	1				
29	90170-12803	NUT	1				
30	2PH-E7645-10	COLLAR	1				
31	93210-16805	O-RING	1				
32	5MX-E5657-00	CLUTCH, ONEWAY	1				
33	90208-12808	WASHER, CONICAL SPRING	1				
34	90170-12800	NUT	1				
35	90201-15846	WASHER, PLATE	1				
36	90201-16817	WASHER, PLATE	1				

FIG. 13 TRANSMISSION




2PH1460-P130

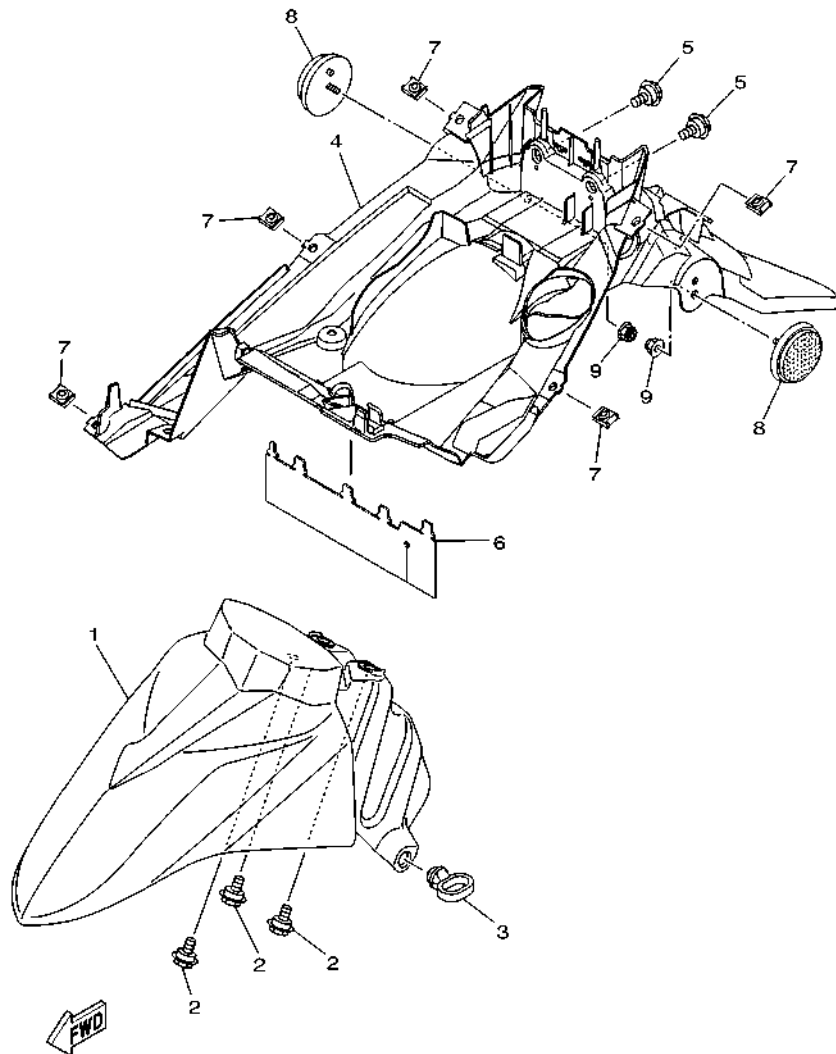
REF. NO.	PART NO.	DESCRIPTION	B924				REMARKS
1	2PH-E7410-00	MAIN AXLE COMP. (12T/50T)	1				UR Either can use
	2PH-E7410-10	MAIN AXLE COMP. (12T/50T)	1				UR Either can use
2	93306-351Y5	BEARING	2				
3	2PH-E7421-00	AXLE, DRIVE	1				UR Either can use
	2PH-E7421-10	AXLE, DRIVE	1				UR Either can use
4	2PH-E7211-00	GEAR, 1ST WHEEL (39T)	1				UR Either can use
	2PH-E7211-10	GEAR, 1ST WHEEL (39T)	1				UR Either can use
5	93306-272YA	BEARING	1				
6	93102-32801	OIL SEAL	1				UR Either can use
	93102-32809	OIL SEAL	1				UR Either can use
7	99009-25400	CIRCLIP	1				
8	93306-303YN	BEARING	1				UR Either can use
	93306-303YS	BEARING	1				UR Either can use
9	2PH-E6111-00	GEAR, PRIMARY DRIVE (16T)	1				UR Either can use
	2PH-E6111-10	GEAR, PRIMARY DRIVE (16T)	1				UR Either can use
10	93306-201YK	BEARING	1				UR Either can use
	93306-201YR	BEARING	1				UR Either can use
11	93306-204XT	BEARING	1				UR Either can use
	93306-204XV	BEARING	1				UR Either can use
12	93102-20815	OIL SEAL	1				UR Either can use
	93102-20816	OIL SEAL	1				UR Either can use



B922440-S140

FIG. 14 FRAME

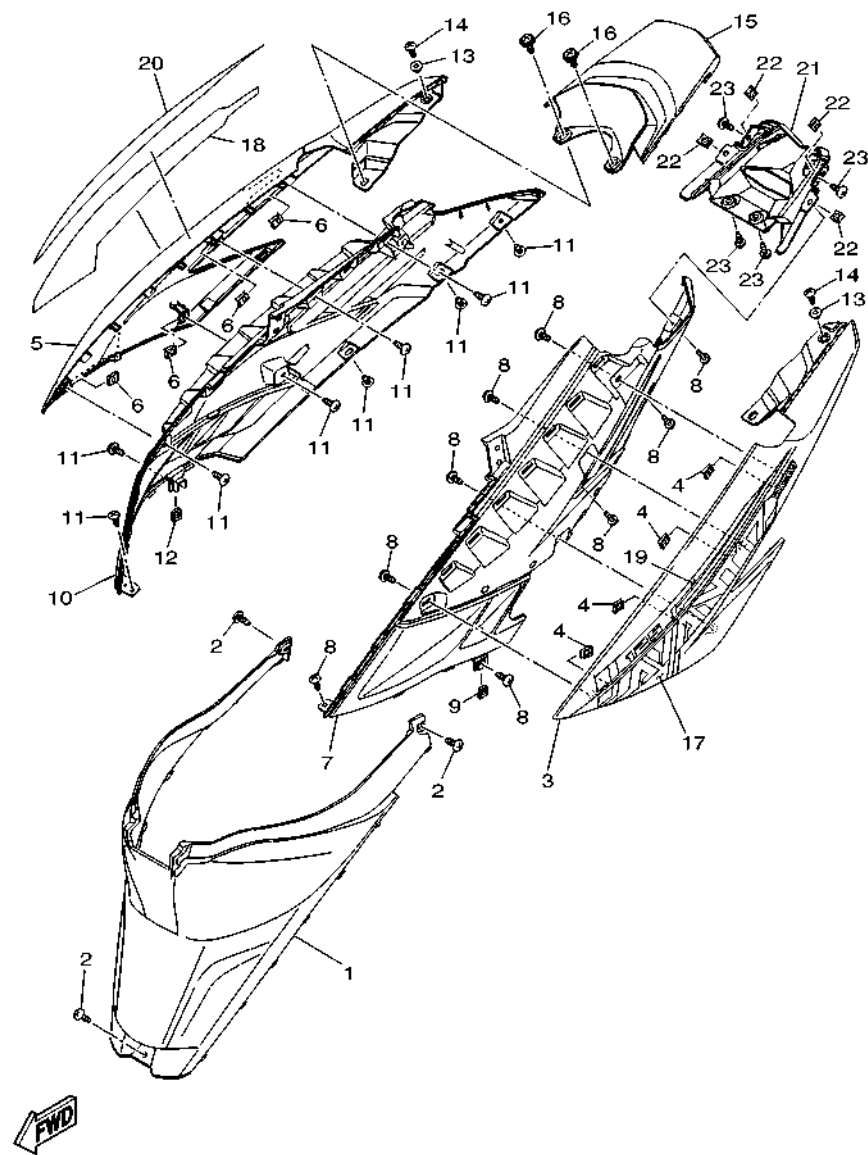
REF. NO.	PART NO.	DESCRIPTION	B924				REMARKS
1	B92-F1110-00	FRAME COMP.	1				
2	5D9-F414G-00	SEAL	1				
3	2PH-F1410-20	ENGINE BRACKET COMP.	1				
4	90388-10800	DAMPER	2				
5	54P-F1459-00	SPACER	1				
6	2PH-F7114-00	STOPPER, MAIN STAND	1				
7	90105-108B2	BOLT, FLANGE	1				
8	54P-F2141-00	SHAFT, PIVOT	1				
9	95602-10200	NUT, S/L FLANGE	2				
10	90201-10831	WASHER, PLATE	1				



B923440-T150

FIG. 15 FENDER

REF. NO.	PART NO.	DESCRIPTION	B924			REMARKS
1	B92-F1511-00-P0	FENDER, FRONT	1			UR FOR RM7
	B92-F1511-00-P5	FENDER, FRONT	1			UR FOR MBL2
	B92-F1511-00-P4	FENDER, FRONT	1			UR FOR VPBC5
	B92-F1511-00-P6	FENDER, FRONT	1			UR FOR CM6
2	90109-068B5	BOLT	3			
3	15K-F1518-00	HOLDER, CABLE	1			
4	B92-F1611-10	FENDER, REAR	1			
5	90109-068B5	BOLT	2			
6	B92-F1621-00	FLAP	1			
7	90183-05807	NUT, SPRING	5			
8	2FC-H5111-00	REFLECTOR, 1	2			
9	90185-05803	NUT, SELF-LOCKING	2			

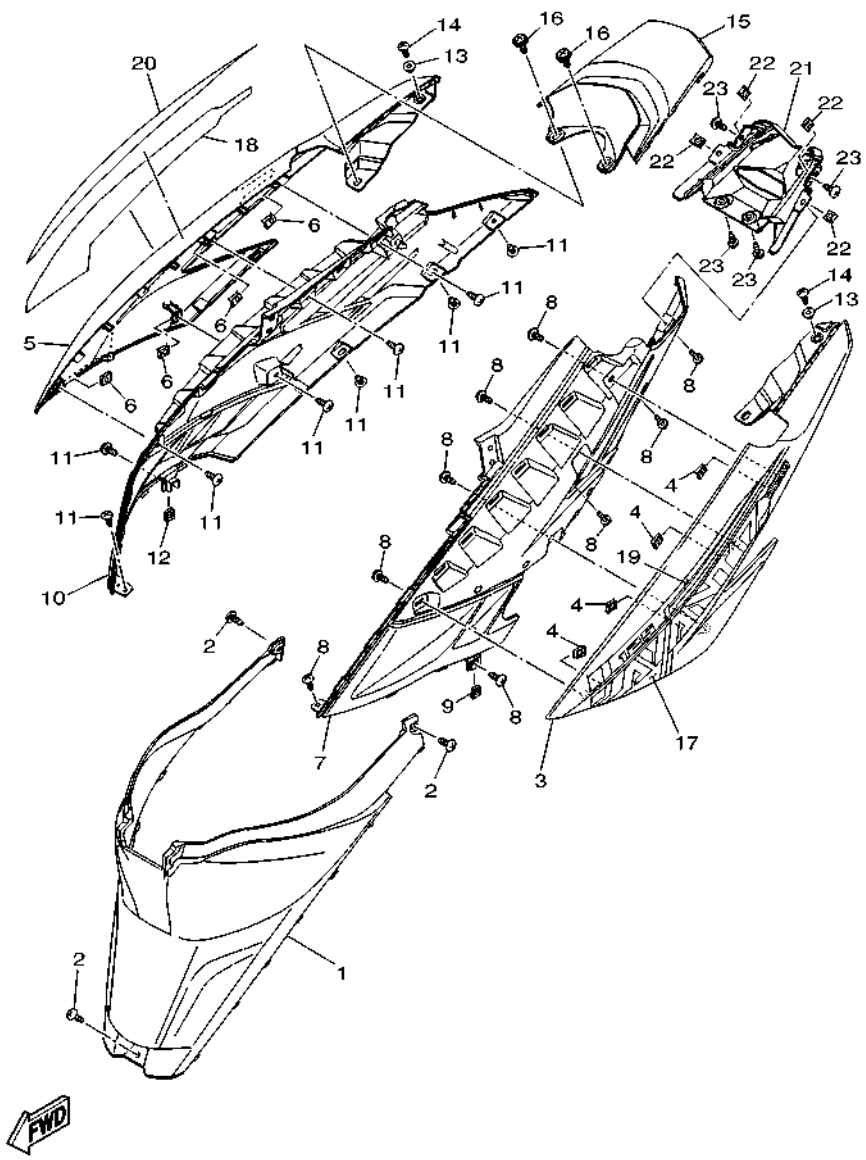


B924440-V160

FIG. 16 SIDE COVER

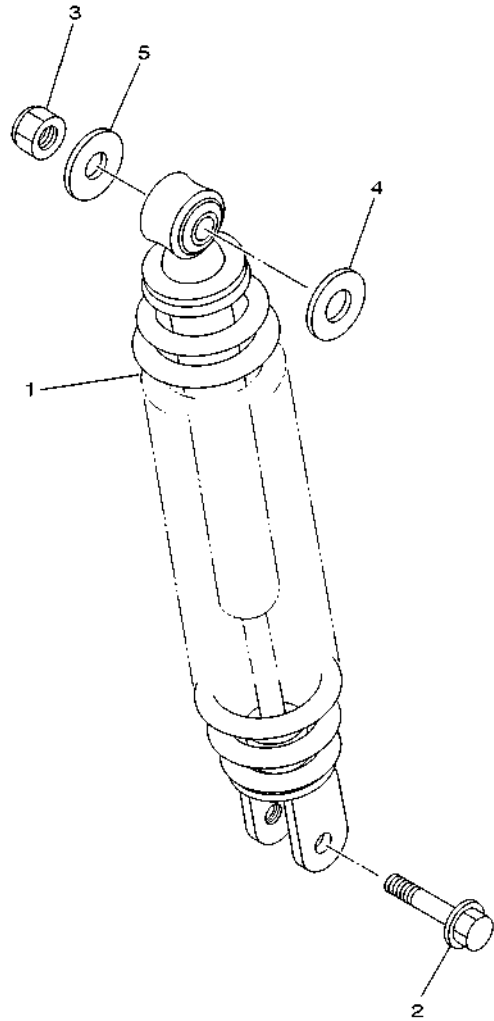
REF. NO.	PART NO.	DESCRIPTION	B924	REMARKS
1	2SX-F172W-00	COVER	1	
2	97707-50016	SCREW, TRUSS HEAD TAPPING	3	
3	B92-F1711-00-P5	COVER, SIDE 1	1	UR FOR RM7,MBL2
	B92-F1711-00-P6	COVER, SIDE 1	1	UR FOR VPBC5
	B92-F1711-00-P7	COVER, SIDE 1	1	UR FOR CM6
4	90183-05807	NUT, SPRING	4	
5	B92-F1721-00-P5	COVER, SIDE 2	1	UR FOR RM7,MBL2
	B92-F1721-00-P6	COVER, SIDE 2	1	UR FOR VPBC5
	B92-F1721-00-P7	COVER, SIDE 2	1	UR FOR CM6
6	90183-05807	NUT, SPRING	4	
7	B92-F1731-00	COVER, SIDE 3	1	
8	97707-50016	SCREW, TRUSS HEAD TAPPING	9	
9	90183-05807	NUT, SPRING	1	
10	B92-F1741-00	COVER, SIDE 4	1	
11	97707-50016	SCREW, TRUSS HEAD TAPPING	9	
12	90183-05807	NUT, SPRING	1	
13	90387-05820	COLLAR	2	
14	97707-50016	SCREW, TRUSS HEAD TAPPING	2	
15	B92-F171E-00	COVER, SIDE 5	1	
16	90159-06810	SCREW, WITH WASHER	2	
17	B92-F174J-60	GRAPHIC 5	1	UR FOR RM7
	B92-F174J-70	GRAPHIC 5	1	UR FOR MBL2
	B92-F174J-80	GRAPHIC 5	1	UR FOR VPBC5
	B92-F174J-90	GRAPHIC 5	1	UR FOR CM6
18	B92-F174K-60	GRAPHIC 6	1	UR FOR RM7
	B92-F174K-70	GRAPHIC 6	1	UR FOR MBL2
	B92-F174K-80	GRAPHIC 6	1	UR FOR VPBC5

FIG. 16 SIDE COVER



B924440-V160

REF. NO.	PART NO.	DESCRIPTION	B924			REMARKS
18	B92-F174K-90	GRAPHIC 6	1			UR FOR CM6
19	B92-F179J-60	GRAPHIC 7	1			UR FOR RM7
	B92-F179J-70	GRAPHIC 7	1			UR FOR MBL2
	B92-F179J-80	GRAPHIC 7	1			UR FOR VPBC5
	B92-F179J-90	GRAPHIC 7	1			UR FOR CM6
20	B92-F179K-60	GRAPHIC 8	1			UR FOR RM7
	B92-F179K-70	GRAPHIC 8	1			UR FOR MBL2
	B92-F179K-80	GRAPHIC 8	1			UR FOR VPBC5
	B92-F179K-90	GRAPHIC 8	1			UR FOR CM6
21	B92-F172X-00	COVER, TAILLIGHT	1			
22	90183-05807	NUT, SPRING	4			
23	97707-50016	SCREW, TRUSS HEAD TAPPING	4			




 54S1431-L170

FIG. 17 REAR SUSPENSION

REF. NO.	PART NO.	DESCRIPTION	B924				REMARKS
1	10C-F2210-30	SHOCK ABSORBER ASSY, REAR	1				
2	90105-088H4	BOLT, FLANGE	1				
3	95302-10600	NUT, HEXAGON	1				
4	90201-12028	WASHER, PLATE	1				
5	90201-10065	WASHER, PLATE	1				
<hr/>							
<hr/>							
<hr/>							
<hr/>							
<hr/>							
<hr/>							
<hr/>							
<hr/>							
<hr/>							
<hr/>							

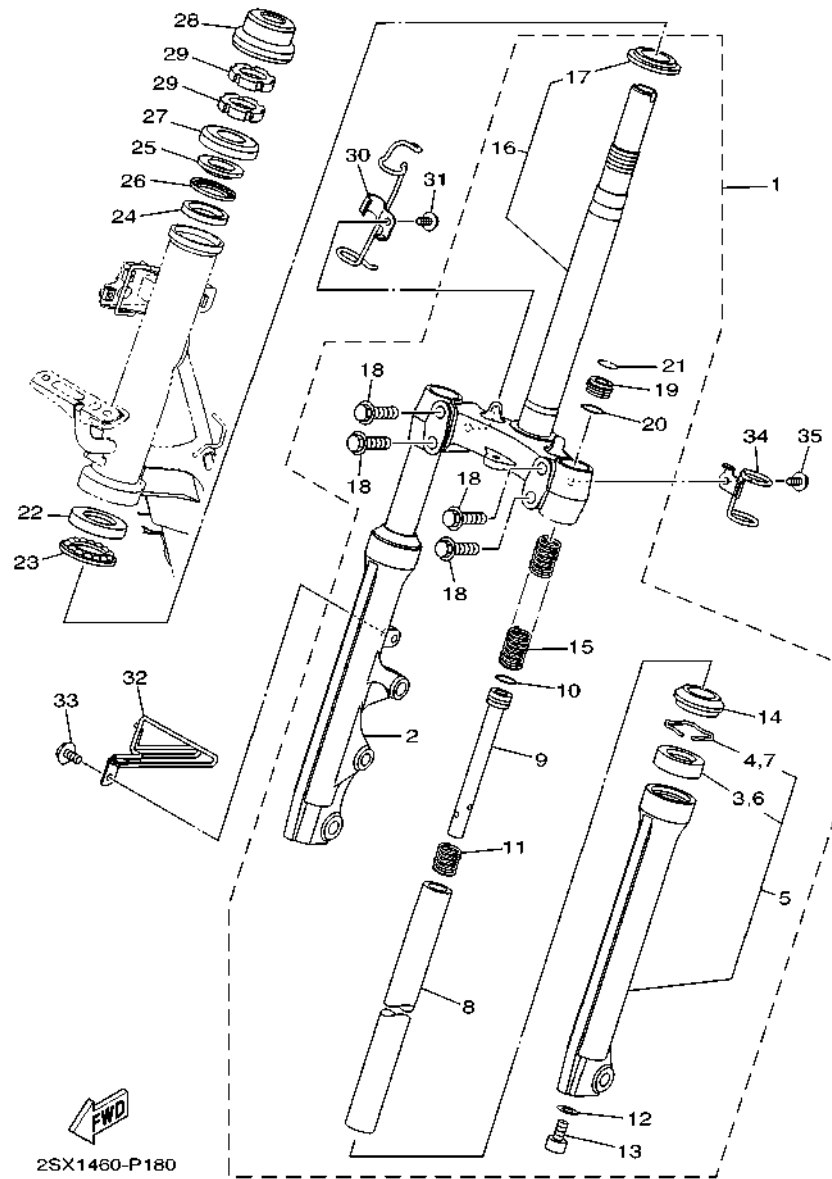


FIG. 18 STEERING

REF. NO.	PART NO.	DESCRIPTION	B924				REMARKS
1	B92-F3100-00	FRONT FORK ASSY	1				
2	B92-F3136-00	.TUBE, OUTER 2	1				
3	4UV-F3145-00	.OIL SEAL	1				
4	5P0-F3156-00	.RING, SNAP	1				
5	B92-F3126-00	.TUBE, OUTER (L.H)	1				
6	4UV-F3145-00	.OIL SEAL	1				
7	5P0-F3156-00	.RING, SNAP	1				
8	B92-F3110-00	.INNER TUBE COMP.1	2				
9	B92-F3170-00	.CYLINDER COMP., FRONT FORK	2				
10	2JG-F3157-00	.RING, PISTON	2				
11	5TF-F3152-00	.SPRING, SUB	2				
12	509-F3158-L0	.GASKET	2				
13	31D-F3181-50	.BOLT, HEXAGON SOCKET HEAD	2				
14	5LL-F3144-00	.SEAL, DUST	2				
15	B92-F3141-00	.SPRING, FRONT FORK	2				
16	B92-F3340-00	.UNDER BRACKET COMP.	1				
17	4FP-F3411-10	.RACE, BALL 1	1				
18	4D0-F3346-00	.BOLT 1	4				
19	1FC-F3111-10	.BOLT, CAP	2				
20	2JG-F3147-00	.O-RING	2				
21	31D-F3153-00	.RING, SNAP	2				
22	1KL-F3412-10	RACE, BALL 2	1				
23	5VL-F341E-10	RETAINER, BALL BEARING	1				
24	4RT-F3412-10	RACE, BALL 2	1				
25	4RT-F3411-10	RACE, BALL 1	1				
26	1P6-F341E-10	RETAINER, BALL BEARING	1				
27	2WB-F3416-00	COVER, BALL RACE 2	1				

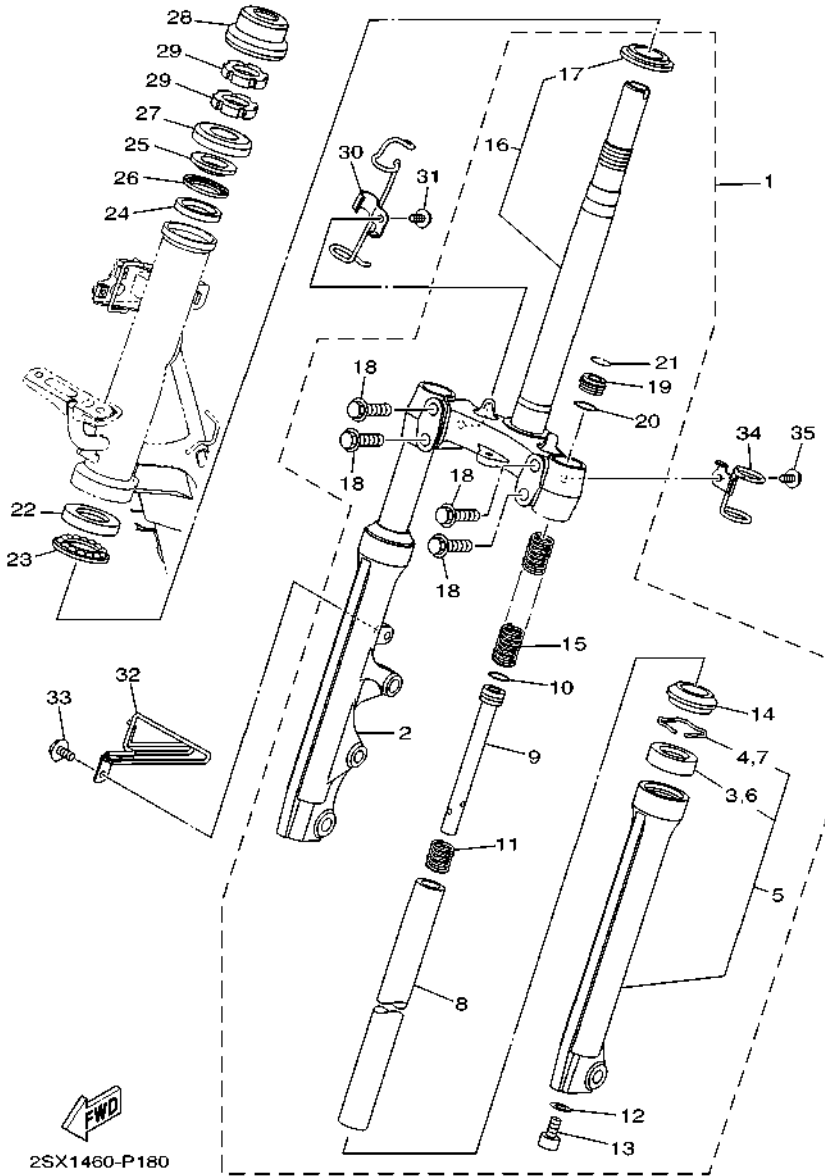
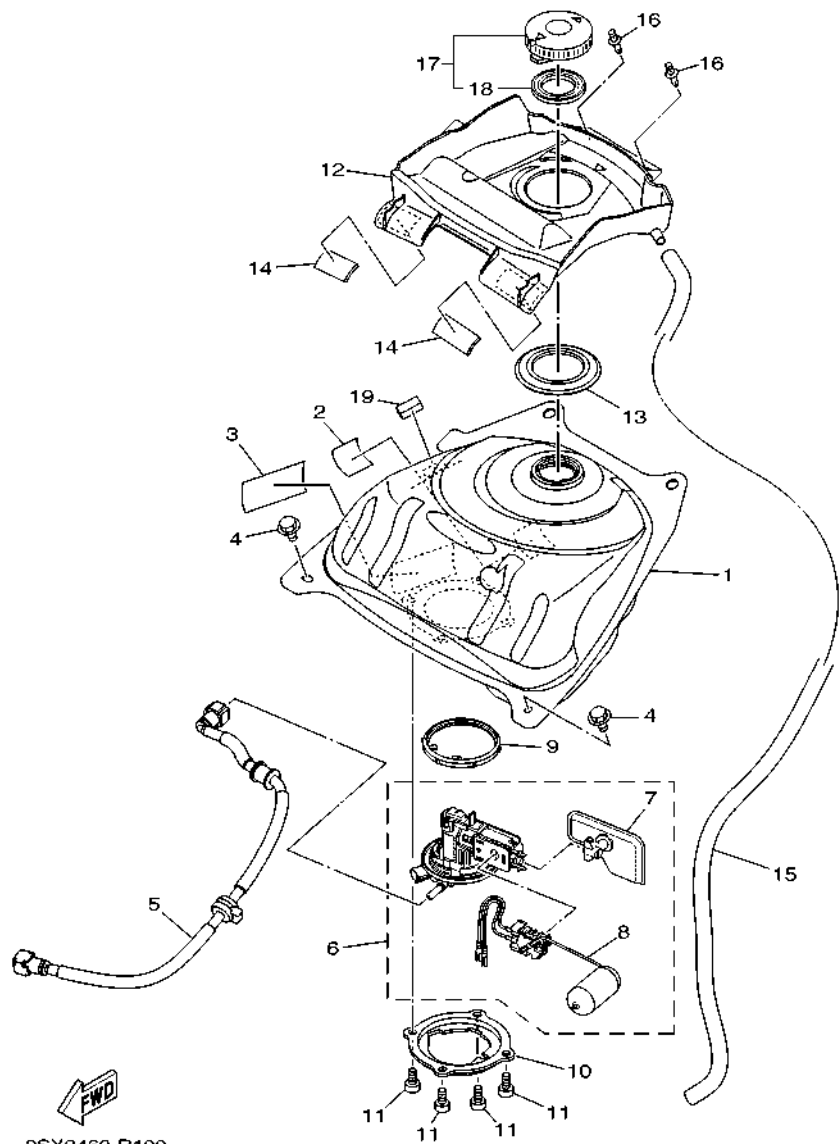


FIG. 18 STEERING

REF. NO.	PART NO.	DESCRIPTION	B924				REMARKS
28	54P-F3415-00	COVER, BALL RACE 1	1				
29	90179-25002	NUT	2				
30	B92-F5875-00	HOLDER, BRAKE HOSE 1	1				
31	95D02-06010	BOLT, FLANGE DEEP RECESS	1				
32	B92-F5876-00	HOLDER, BRAKE HOSE 2	1				
33	95D32-06012	BOLT, FLANGE DEEP RECESS	1				
34	B92-F1518-00	HOLDER, CABLE	1				
35	95D02-06010	BOLT, FLANGE DEEP RECESS	1				

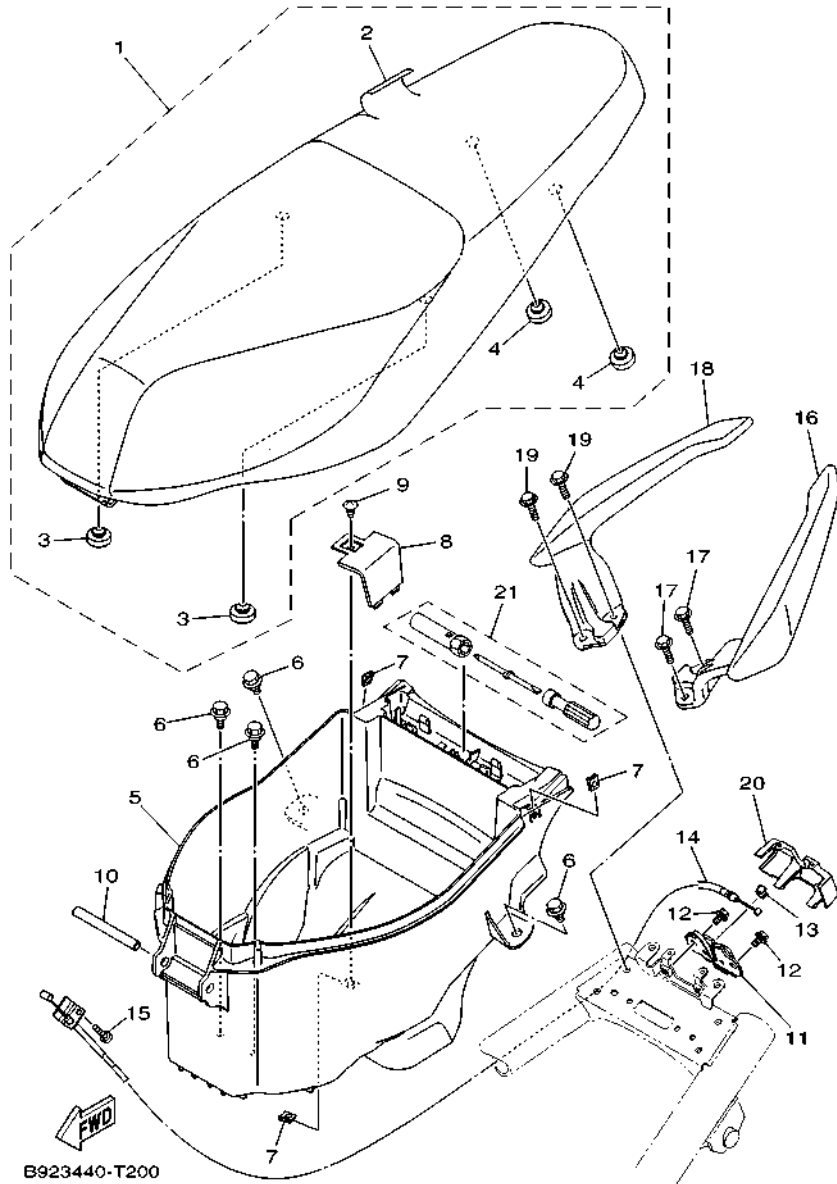
FIG. 19 FUEL TANK



2SX2460-R190

REF. NO.	PART NO.	DESCRIPTION	B924				REMARKS
1	B92-F4110-00	FUEL TANK COMP.	1				
2	5D9-F414G-10	SEAL	1				
3	5D9-F414G-00	SEAL	1				
4	90119-06155	BOLT, WITH WASHER	2				
5	2PH-E3971-00	PIPE, FUEL 1	1				
6	2PH-E3907-00	FUEL PUMP COMP.	1				
7	54P-E3915-00	.FILTER, FUEL SUCTION	1				
8	2PH-H5752-00	.SENDER UNIT ASSY, FUEL METER	1				
9	54P-F414G-10	SEAL	1				
10	B92-F4491-00	BRACKET, FUEL PUMP	1				
11	91332-05010	BOLT	4				
12	B92-F41B1-00	COVER, TANK	1				
13	B92-F414G-00	SEAL	1				
14	5D9-H2126-00	PAD, BATTERY	2				
15	91A20-07065	TUBE, FLEXIBLE VINYL	1				
16	90269-06816	RIVET	2				
17	4YY-F4610-00	CAP ASSY	1				
18	4YY-F4612-00	.PACKING, CAP	1				
19	90520-08812	DAMPER, PLATE	1				

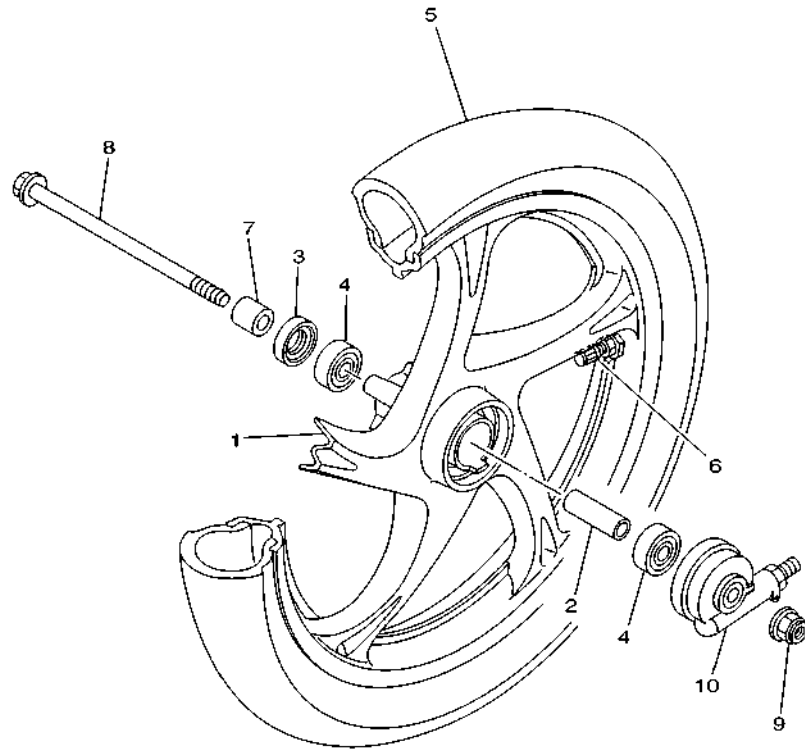
FIG. 20 SEAT



B923440-T200

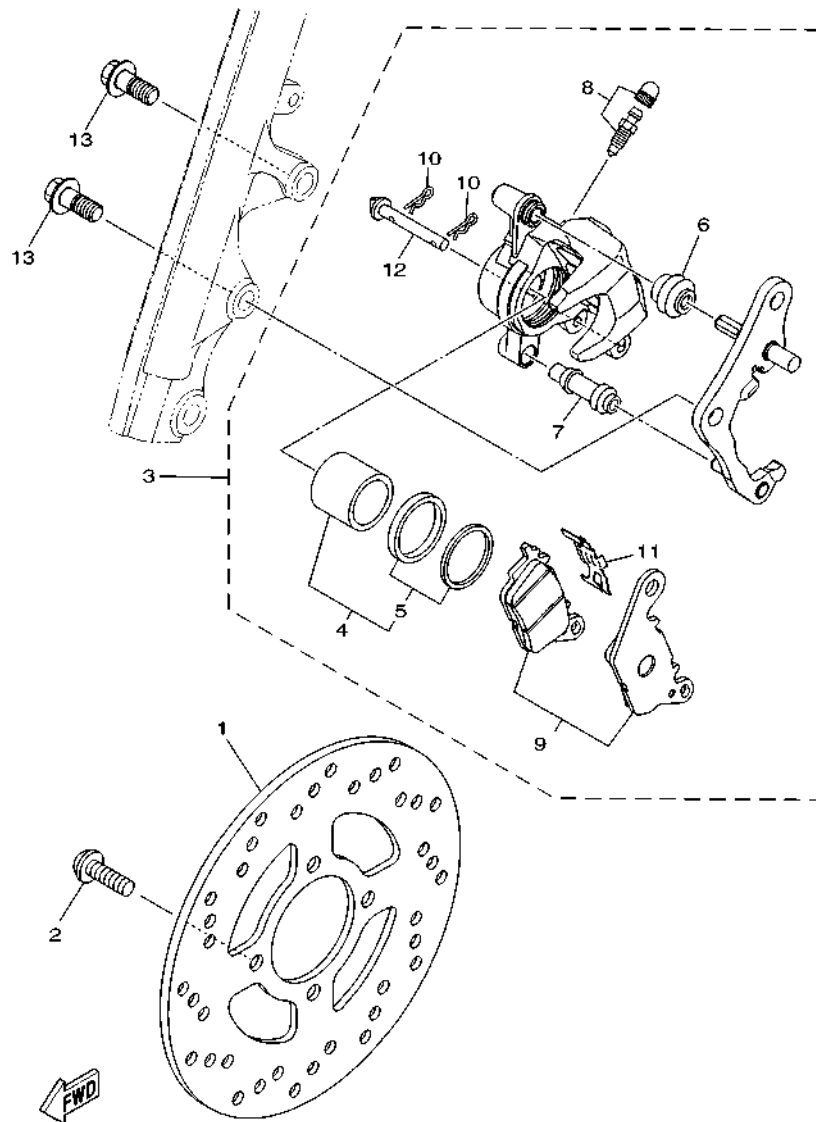
REF. NO.	PART NO.	DESCRIPTION	B924			REMARKS
1	2SX-F4730-00	DOUBLE SEAT ASSY	1			
2	2SX-F470F-00	.SEAT COVER COMP.	1			
3	3C1-F4741-00	.PAD, SEAT	2			
4	5BP-F4741-00	.PAD, SEAT	2			
5	2SX-F473R-00	BOX 1	1			
6	90109-068B4	BOLT	4			
7	90183-05807	NUT, SPRING	3			
8	2SX-F482H-00	CAP	1			
9	97707-50016	SCREW, TRUSS HEAD TAPPING	1			
10	2WB-F4727-00	PIN, SEAT FITTING	1			
11	40D-F4780-01	SEAT LOCK ASSY	1			
12	95E32-06010	BOLT, FLANGE DEEP RECESS	2			
13	1S8-F4768-00	STOPPER	1			
14	2SX-F478E-10	CABLE, SEAT LOCK	1			
15	98507-05010	SCREW, PAN HEAD	1			
16	B92-F474A-00-P2	ASSIST, GRIP	1			UR FOR RM7
	B92-F474A-00-P3	ASSIST, GRIP	1			UR FOR MBL2
	B92-F474A-00-P1	ASSIST, GRIP	1			UR FOR VPBC5
	B92-F474A-00-P4	ASSIST, GRIP	1			UR FOR CM6
17	95D32-06020	BOLT, FLANGE DEEP RECESS	2			
18	B92-F474W-00-P2	ASSIST,GRIP 2	1			UR FOR RM7
	B92-F474W-00-P3	ASSIST,GRIP 2	1			UR FOR MBL2
	B92-F474W-00-P1	ASSIST,GRIP 2	1			UR FOR VPBC5
	B92-F474W-00-P4	ASSIST,GRIP 2	1			UR FOR CM6
19	95D32-06020	BOLT, FLANGE DEEP RECESS	2			
20	B92-F472T-00	COVER, SEAT LOCK	1			
21	1VB-F8100-00	TOOL KIT	1			

FIG. 21 FRONT WHEEL



REF. NO.	PART NO.	DESCRIPTION	B924	REMARKS
1	1VB-F5168-00-0X	CAST WHEEL, FRONT	1	UR RM7,VPBC5,CM6
	1VB-F5168-00-P0	CAST WHEEL, FRONT	1	UR MBL2
2	90560-10292	SPACER	1	
3	93106-20808	OIL SEAL	1	
4	93306-300X8	BEARING	2	
5	94107-14808	TIRE (70/90-14M/C 34P N)	1	KENDA
6	93900-00817	VALVE, RIM (TR412)	1	
7	90387-10277	COLLAR	1	
8	2SX-F5181-00	AXLE, WHEEL	1	
9	95602-10200	NUT, S/L FLANGE	1	
10	5TL-F5190-01	GEAR UNIT ASSY	1	


 B923440-T210



B921440-R220

FIG. 22 FRONT BRAKE CALIPER

REF. NO.	PART NO.	DESCRIPTION	B924				REMARKS
1	5TL-F582U-10	DISK, BRAKE (RIGHT)	1				
2	90111-08853	BOLT,HEX. SOCKET BUTTON	4				
3	2SX-F580U-10	CALIPER ASSY (RIGHT)	1				
4	2BM-F5802-00	.PISTON ASSY, CALIPER	1				
5	5YP-F5803-50	..CALIPER SEAL KIT	1				
6	2BM-F5917-00	.BOOT, CALIPER	1				
7	5YP-F5937-00	.BOOT 2	1				
8	4C9-W0048-00	.BLEED SCREW KIT	1				
9	2BM-F5805-00	.BRAKE PAD KIT	1				
10	5YP-F5925-01	.CLIP	2				
11	2BM-F5919-00	.SUPPORT, PAD	1				
12	5YP-F5924-10	.PIN, PAD	1				
13	90105-10831	BOLT, FLANGE	2				

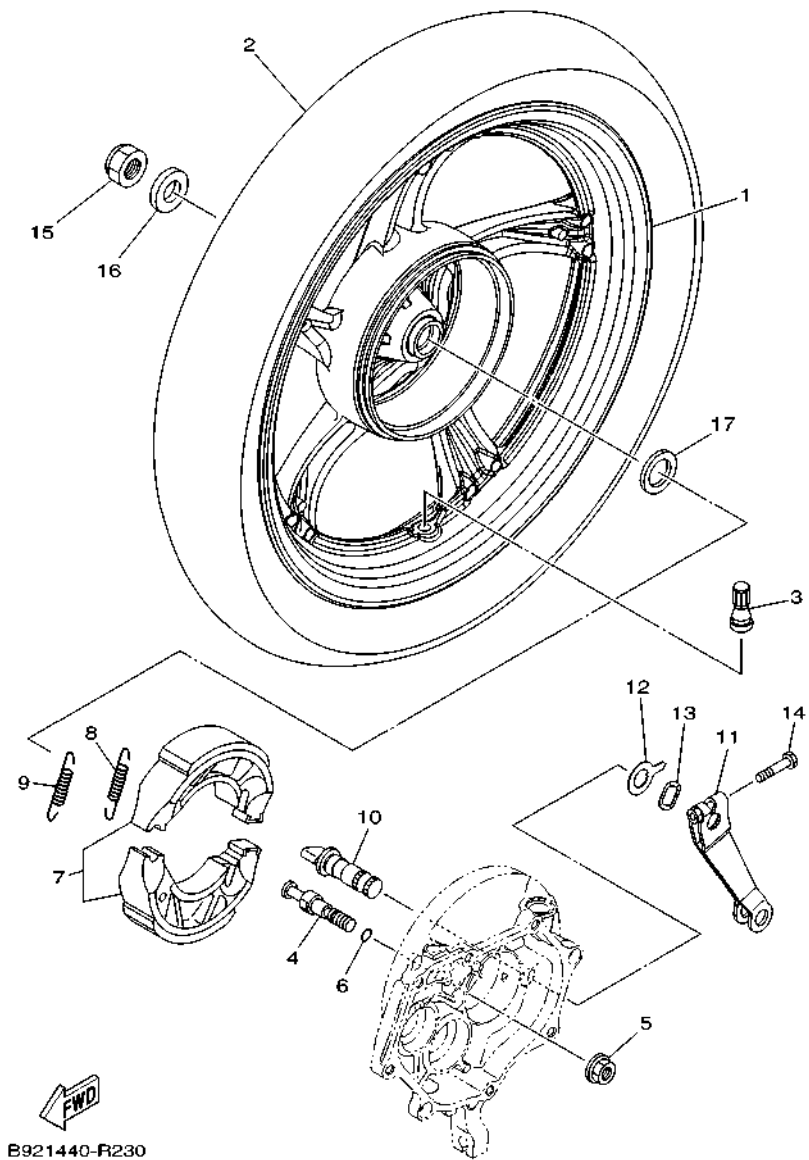
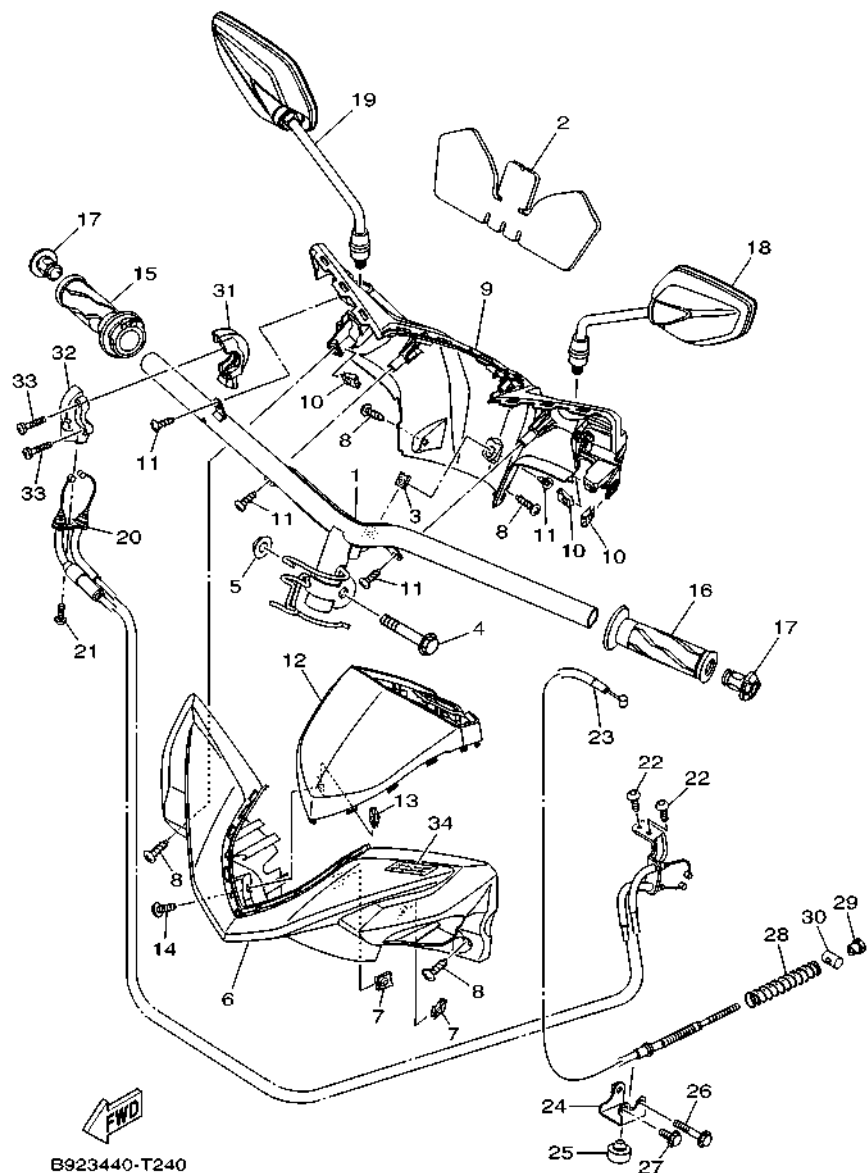


FIG. 23 REAR WHEEL

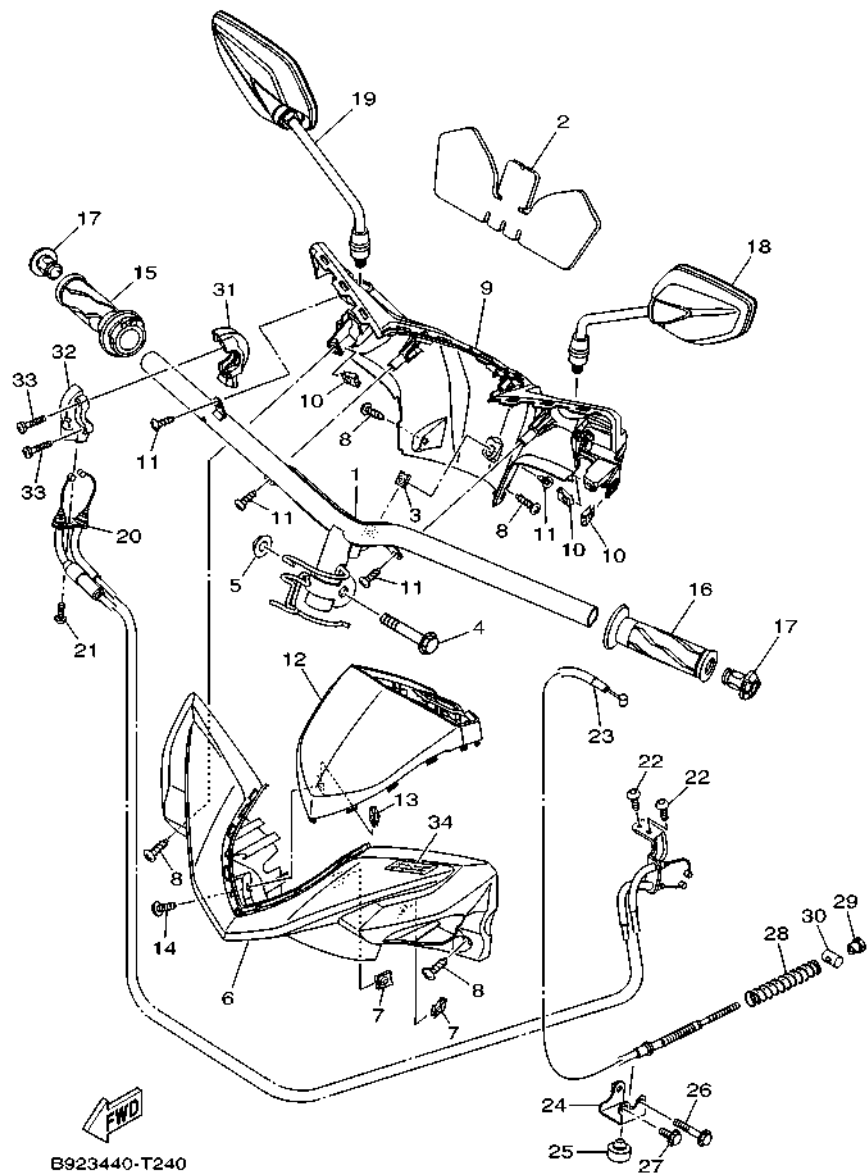
REF. NO.	PART NO.	DESCRIPTION	B924	REMARKS
1	44P-F5338-00-0X	CAST WHEEL, REAR	1	UR RM7,VPBC5,CM6
	44P-F5338-00-P0	CAST WHEEL, REAR	1	UR MBL2
2	94109-14804	TIRE(90/80-14M/C 49P REINF N)	1	KENDA
3	93900-00817	VALVE, RIM (TR412)	1	
4	54P-F5326-00	PIN, PIVOT	1	UR Either can use
	1GC-F5326-00	PIN, PIVOT	1	UR Either can use
5	95702-10500	NUT, FLANGE	1	
6	93210-07802	O-RING	1	
7	5LW-F530K-00	BRAKE SHOE SET	1	
8	90506-12001	SPRING, TENSION	1	
9	90506-15001	SPRING, TENSION	1	
10	10C-F5351-00	CAMSHAFT	1	
11	B92-F5355-00	LEVER, CAMSHAFT	1	
12	5LW-F533A-00	PLATE, INDICATOR	1	
13	90206-14093	WASHER, WAVE	1	
14	90101-06046	BOLT	1	
15	90185-16800	NUT, SELF-LOCKING	1	
16	90201-16810	WASHER, PLATE	1	
17	90201-220J8	WASHER, PLATE	1	

FIG. 24 STEERING HANDLE & CABLE



REF. NO.	PART NO.	DESCRIPTION	B924	REMARKS
1	2SX-F6110-00	HANDLE COMP.	1	
2	B92-F6113-00	DAMPER	1	
3	90183-05807	NUT, SPRING	1	
4	90105-10896	BOLT, FLANGE	1	
5	90185-10011	NUT, SELF-LOCKING	1	
6	B92-F6143-00-P0	COVER, HANDLE UPPER 1	1	UR FOR RM7
	B92-F6143-00-P5	COVER, HANDLE UPPER 1	1	UR FOR MBL2
	B92-F6143-00-P1	COVER, HANDLE UPPER 1	1	UR FOR VPBC5
	B92-F6143-00-P6	COVER, HANDLE UPPER 1	1	UR FOR CM6
7	90183-05807	NUT, SPRING	2	
8	97707-50016	SCREW, TRUSS HEAD TAPPING	4	
9	2SX-F6145-00	COVER, HANDLE UPPER 2	1	
10	90183-05807	NUT, SPRING	3	
11	97707-50016	SCREW, TRUSS HEAD TAPPING	4	
12	B92-H3559-00-P4	COVER, METER	1	UR FOR RM7, MBL2
	B92-H3559-00-P5	COVER, METER	1	UR FOR VPBC5
	B92-H3559-00-P6	COVER, METER	1	UR FOR CM6
13	90183-05807	NUT, SPRING	1	
14	97707-50016	SCREW, TRUSS HEAD TAPPING	1	
15	B92-F6240-00	GRIP ASSY	1	
16	1VP-F6241-00	GRIP	1	
17	B92-F6246-00	END, GRIP	2	
18	2WB-F6280-00	REAR VIEW MIRROR ASSY (LEFT)	1	
19	2WB-F6290-00	REAR VIEW MIRROR ASSY (RIGHT)	1	
20	2SX-F6301-10	THROTTLE CABLE ASSY	1	
21	98502-05016	SCREW, PAN HEAD	1	
22	92012-05010	BOLT, BUTTON HEAD	2	

FIG. 24 STEERING HANDLE & CABLE



REF. NO.	PART NO.	DESCRIPTION	B924				REMARKS
23	2SX-F6351-00	CABLE, BRAKE	1				
24	B92-F637G-00	HOLDER, WIRE	1				
25	B92-F6257-00	STOPPER	1				
26	95E32-06040	BOLT, FLANGE DEEP RECESS	1				
27	95E32-06014	BOLT, FLANGE DEEP RECESS	1				
28	90501-16003	SPRING, COMPRESSION	1				
29	90179-06411	NUT	1				
30	90249-12008	PIN	1				
31	55D-F6281-00	CAP, GRIP UPPER	1				
32	55D-F6282-00	CAP, GRIP UNDER	1				
33	98502-05025	SCREW, PAN HEAD	2				
34	B92-F1737-00	EMBLEM	1				

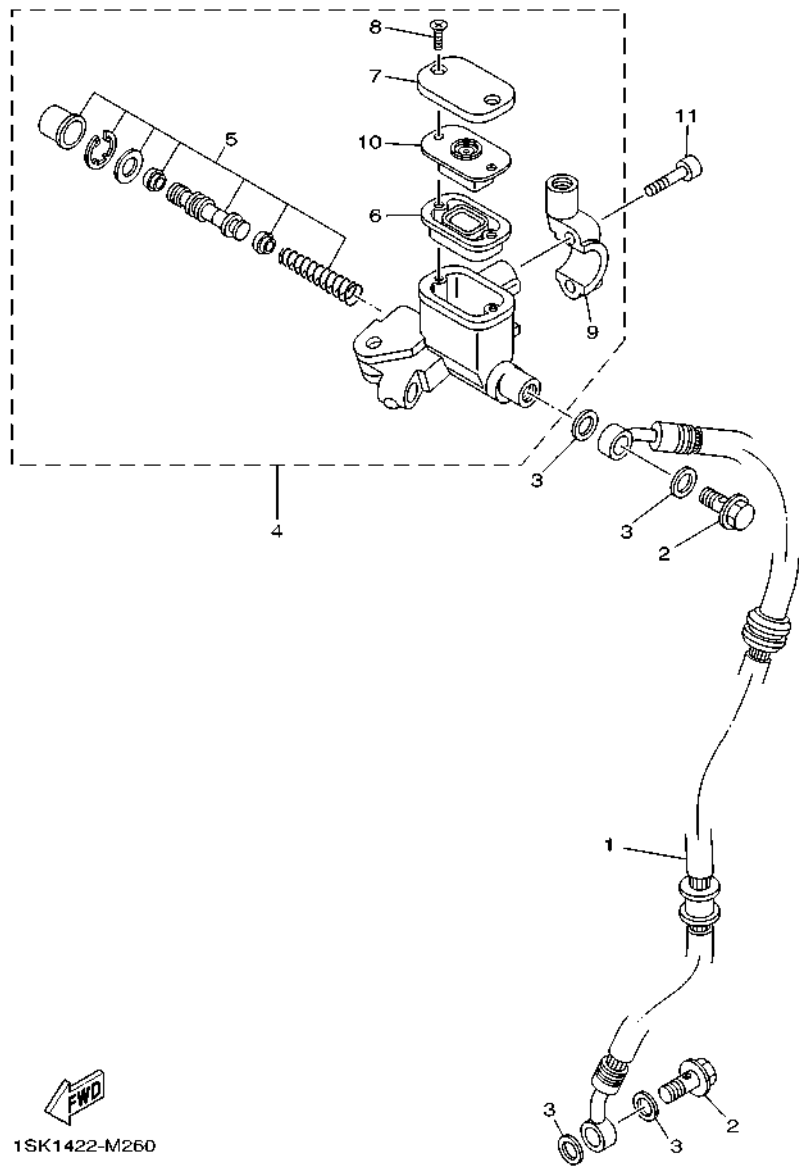
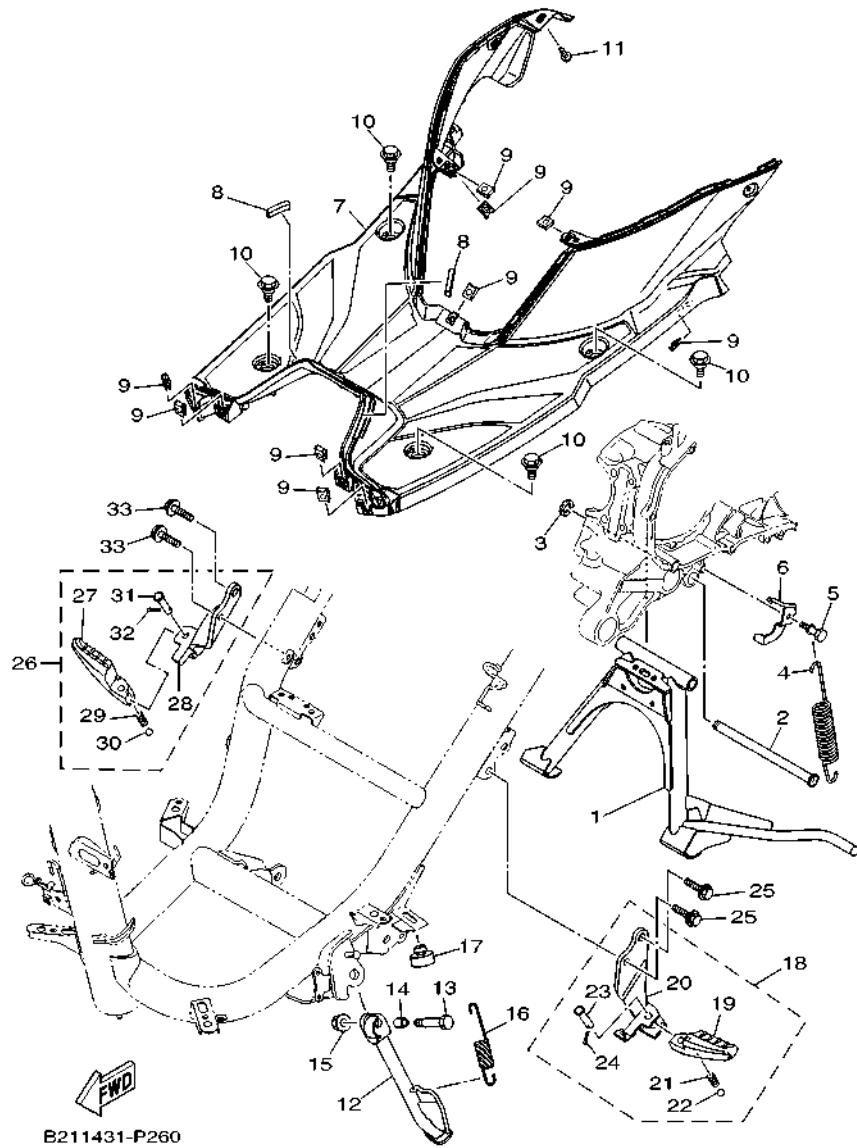


FIG. 25 FRONT MASTER CYLINDER

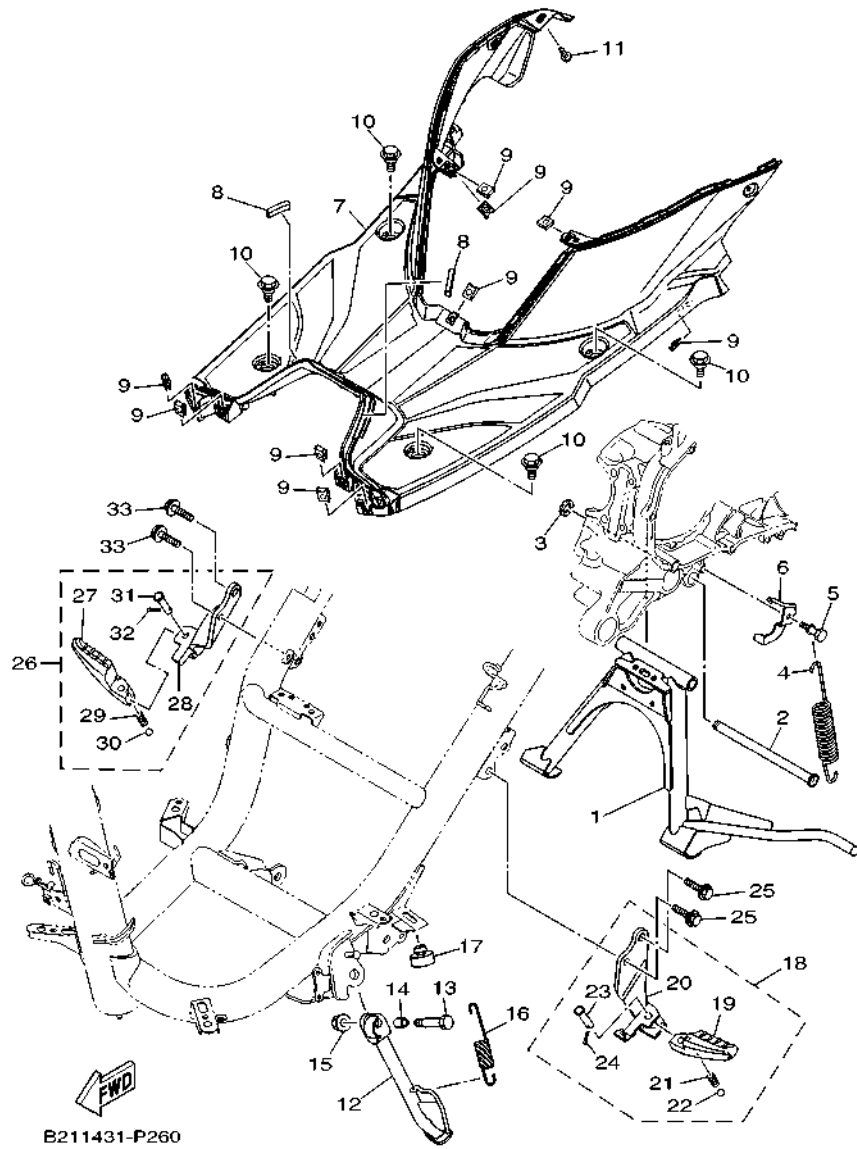
REF. NO.	PART NO.	DESCRIPTION	B924				REMARKS
1	2SX-F5872-00	HOSE, BRAKE 1	1				
2	90401-10812	BOLT, UNION	2				
3	90201-10118	WASHER, PLATE	4				
4	5P0-F583T-03	MASTER CYLINDER ASSY	1				
5	5P0-W0041-00	.CYLINDER KIT, MASTER	1				
6	5P0-F5854-00	.DIAPHRAGM, RESERVOIR	1				
7	5P0-F5852-00	.CAP, RESERVOIR	1				
8	36Y-2589H-00	.SCREW	2				
9	5TL-F5867-01	.BRACKET, MASTER CYLINDER	1				
10	5P0-F5855-00	.BUSH,DIAPHRAGM	1				
11	91312-06025	BOLT, HEXAGON SOCKET HEAD	2				

FIG. 26 STAND & FOOTREST



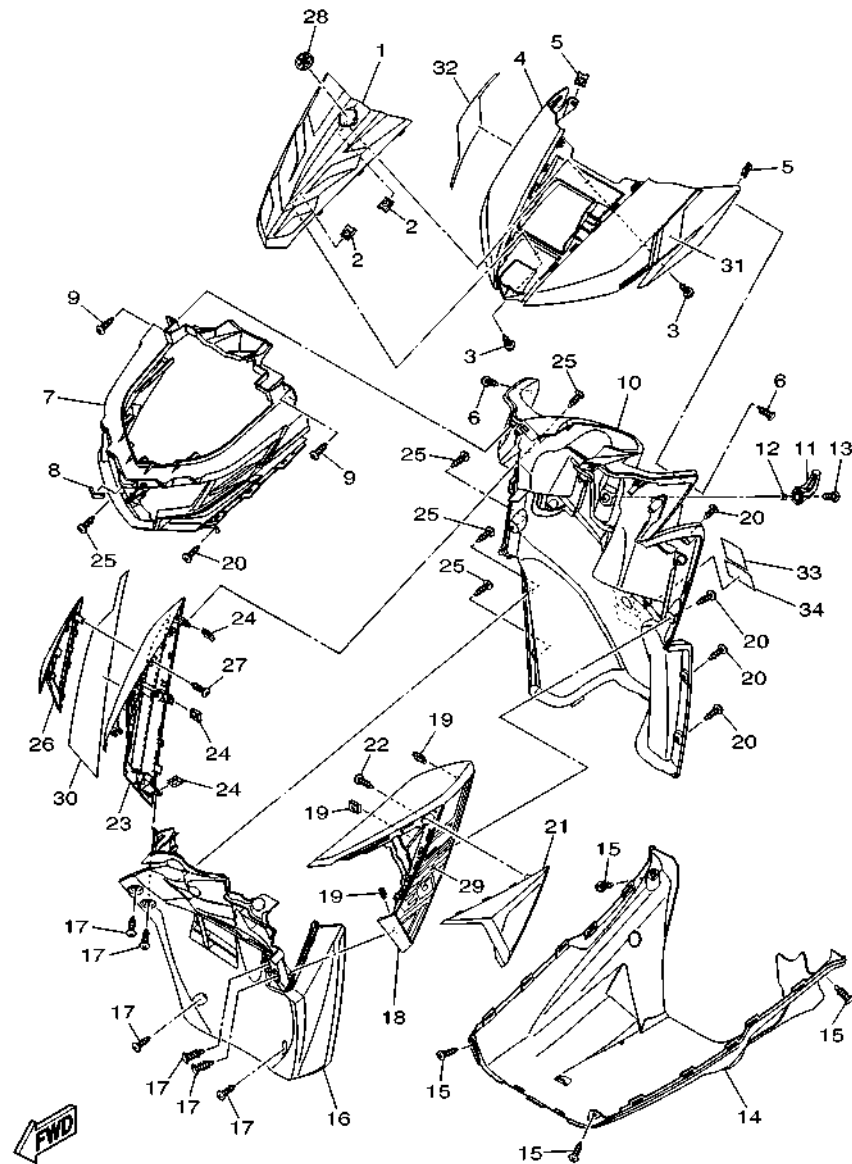
REF. NO.	PART NO.	DESCRIPTION	B924				REMARKS
1	B92-F7111-00	STAND, MAIN	1				
2	2PH-F7112-00	SHAFT, MAIN STAND	1				
3	99002-09600	CIRCLIP	1				
4	90506-35821	SPRING, TENSION	1				
5	5LW-F7254-00	HOOK	1				
6	B92-F7267-00	GUIDE, WIRE	1				
7	2SX-F7481-00	BOARD, FOOTREST	1				
8	90520-08004	DAMPER, PLATE	2				
9	90183-05807	NUT, SPRING	9				
10	90109-068B5	BOLT	4				
11	97707-50016	SCREW, TRUSS HEAD TAPPING	1				
12	B92-F7311-00	STAND, SIDE	1				
13	90101-08847	BOLT	1				
14	90387-08820	COLLAR	1				
15	95602-08200	NUT, U FLANGE	1				
16	90506-20514	SPRING, TENSION	1				
17	B92-F6257-00	STOPPER	1				
18	B92-F7430-00	REAR FOOTREST ASSY 1	1				
19	B92-F7431-00	.FOOTREST, REAR 1	1				
20	B92-F7432-00	.BRACKET 1	1				
21	90501-12743	.SPRING, COMPRESSION	1				
22	93501-04823	.BALL	1				
23	91701-08035	.PIN	1				
24	91401-25015	.PIN, COTTER	1				
25	95D02-08030	BOLT, FLANGE DEEP RECESS	2				
26	B92-F7440-00	REAR FOOTREST ASSY 2	1				
27	B92-F7441-00	.FOOTREST, REAR 2	1				

FIG. 26 STAND & FOOTREST



REF. NO.	PART NO.	DESCRIPTION	B924				REMARKS
28	B92-F7442-00	.BRACKET 2	1				
29	90501-12743	.SPRING, COMPRESSION	1				
30	93501-04823	.BALL	1				
31	91701-08035	.PIN	1				
32	91401-25015	.PIN, COTTER	1				
33	95D02-08030	BOLT, FLANGE DEEP RECESS	2				

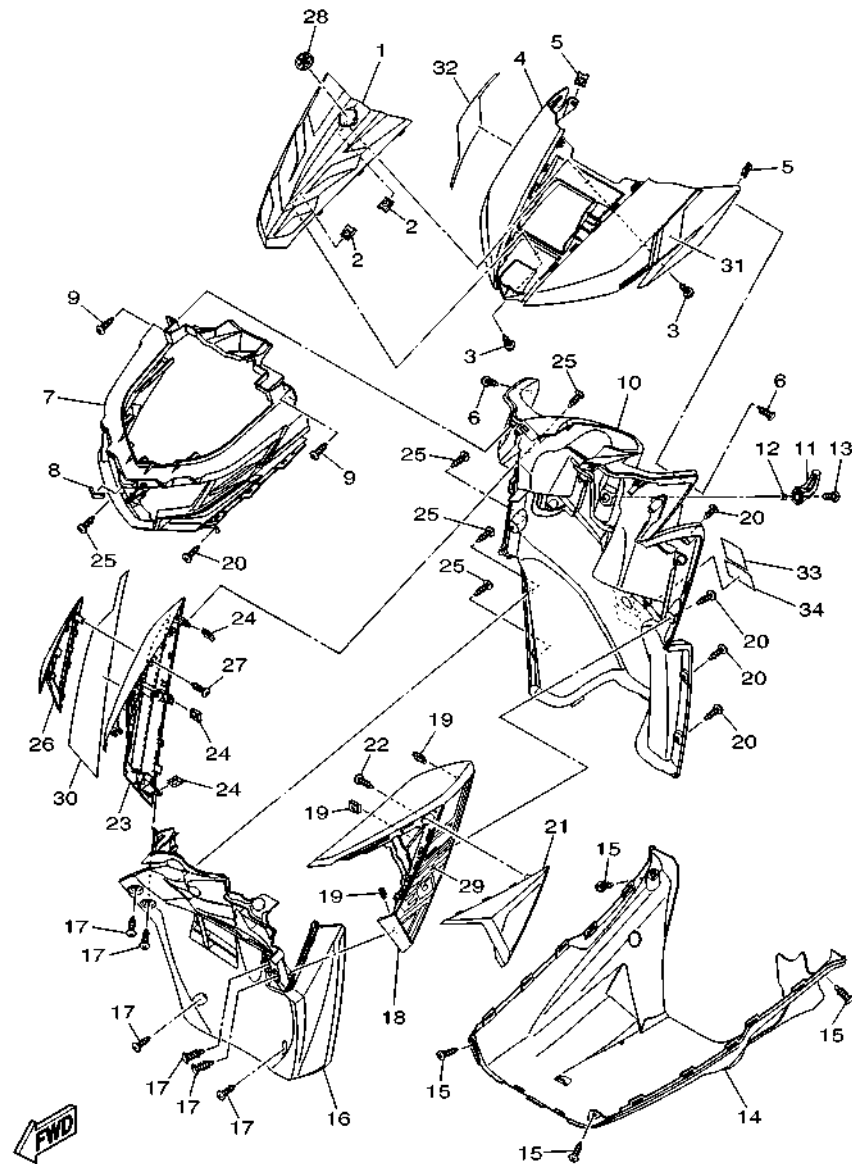
FIG. 27 LEG SHIELD



B924440-V270

REF. NO.	PART NO.	DESCRIPTION	B924	REMARKS
1	B92-F3391-00-P4	PANEL, FRONT	1	UR FOR RM7,MBL2
	B92-F3391-00-P5	PANEL, FRONT	1	UR FOR VPBC5
	B92-F3391-00-P6	PANEL, FRONT	1	UR FOR CM6
2	90183-05807	NUT, SPRING	2	
3	97707-50016	SCREW, TRUSS HEAD TAPPING	2	
4	B92-F2865-00-P0	COVER, FRONT	1	UR FOR RM7
	B92-F2865-00-P5	COVER, FRONT	1	UR FOR MBL2
	B92-F2865-00-P1	COVER, FRONT	1	UR FOR VPBC5
	B92-F2865-00-P6	COVER, FRONT	1	UR FOR CM6
5	90183-05807	NUT, SPRING	2	
6	97707-50016	SCREW, TRUSS HEAD TAPPING	2	
7	2SX-F8311-00	LEG SHIELD 1	1	
8	90520-02819	DAMPER, PLATE	1	
9	97707-50016	SCREW, TRUSS HEAD TAPPING	2	
10	2SX-F8300-00	LEG SHIELD ASSY	1	
11	B92-F8257-00	HOOK 1	1	
12	B92-F8373-00	COLLAR	1	
13	90111-06865	BOLT,HEX. SOCKET BUTTON	1	
14	B92-F8385-00	COVER, UNDER	1	
15	97707-50016	SCREW, TRUSS HEAD TAPPING	4	
16	2SX-F1552-00	FENDER, INNER	1	
17	97707-50016	SCREW, TRUSS HEAD TAPPING	6	
18	B92-F8345-00-P5	MOLE 1	1	UR FOR RM7,MBL2
	B92-F8345-00-P6	MOLE 1	1	UR FOR VPBC5
	B92-F8345-00-P7	MOLE 1	1	UR FOR CM6
19	90183-05807	NUT, SPRING	3	
20	97707-50016	SCREW, TRUSS HEAD TAPPING	5	

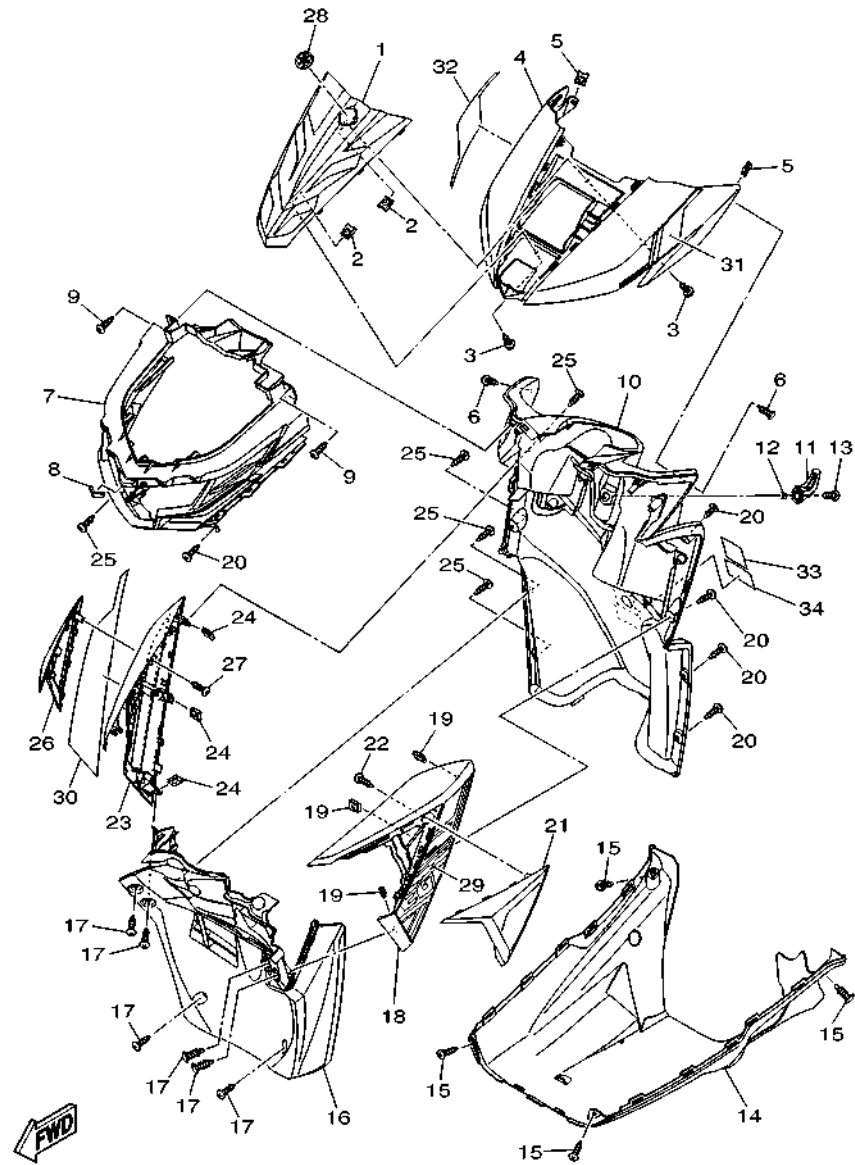
FIG. 27 LEG SHIELD



B924440-V270

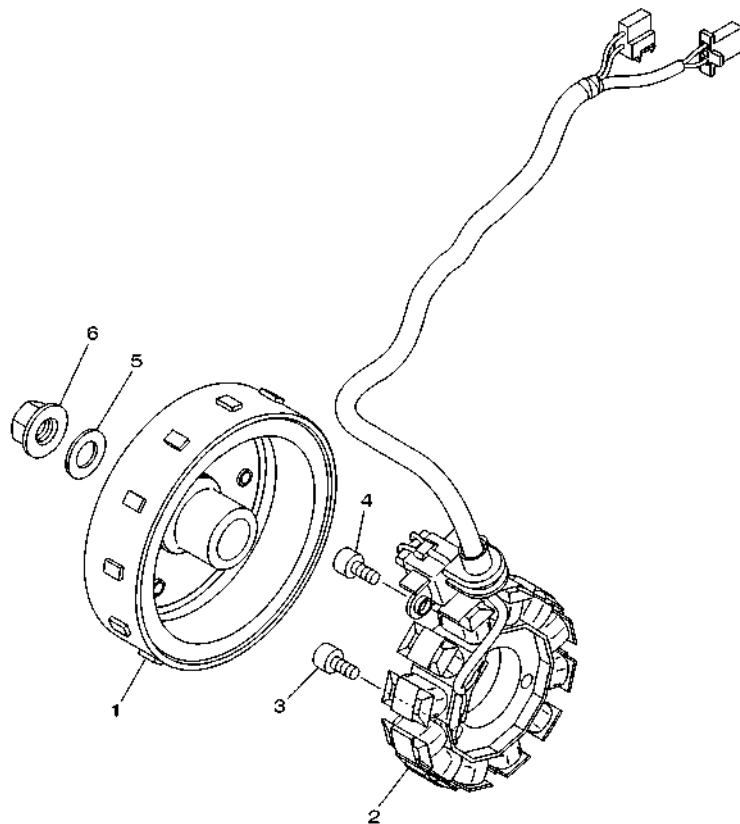
REF. NO.	PART NO.	DESCRIPTION	B924				REMARKS
21	2SX-F835U-00	PANEL 1	1				
22	97707-50016	SCREW, TRUSS HEAD TAPPING	1				
23	B92-F8346-00-P5	MOLE 2	1				UR FOR RM7, MBL2
	B92-F8346-00-P6	MOLE 2	1				UR FOR VPBC5
	B92-F8346-00-P7	MOLE 2	1				UR FOR CM6
24	90183-05807	NUT, SPRING	3				
25	97707-50016	SCREW, TRUSS HEAD TAPPING	5				
26	2SX-F835V-00	PANEL 2	1				
27	97707-50016	SCREW, TRUSS HEAD TAPPING	1				
28	31B-F313B-00	EMBLEM, 1	1				
29	B92-F8391-60	GRAPHIC 1	1				UR FOR RM7
	B92-F8391-70	GRAPHIC 1	1				UR FOR MBL2
	B92-F8391-80	GRAPHIC 1	1				UR FOR VPBC5
	B92-F8391-90	GRAPHIC 1	1				UR FOR CM6
30	B92-F8392-60	GRAPHIC 2	1				UR FOR RM7
	B92-F8392-70	GRAPHIC 2	1				UR FOR MBL2
	B92-F8392-80	GRAPHIC 2	1				UR FOR VPBC5
	B92-F8392-90	GRAPHIC 2	1				UR FOR CM6
31	B92-F8393-60	GRAPHIC 3	1				UR FOR RM7
	B92-F8393-70	GRAPHIC 3	1				UR FOR MBL2
	B92-F8393-80	GRAPHIC 3	1				UR FOR VPBC5
	B92-F8393-90	GRAPHIC 3	1				UR FOR CM6
32	B92-F8394-30	GRAPHIC 4	1				UR FOR RM7
	B92-F8394-40	GRAPHIC 4	1				UR FOR MBL2
	B92-F8394-50	GRAPHIC 4	1				UR FOR VPBC5
	B92-F8394-60	GRAPHIC 4	1				UR FOR CM6
33	B92-F1568-00	LABEL, WARNING	1				

FIG. 27 LEG SHIELD



B924440-V270

REF. NO.	PART NO.	DESCRIPTION	B924			REMARKS
34	B92-F1668-00	LABEL, TIRE	1			



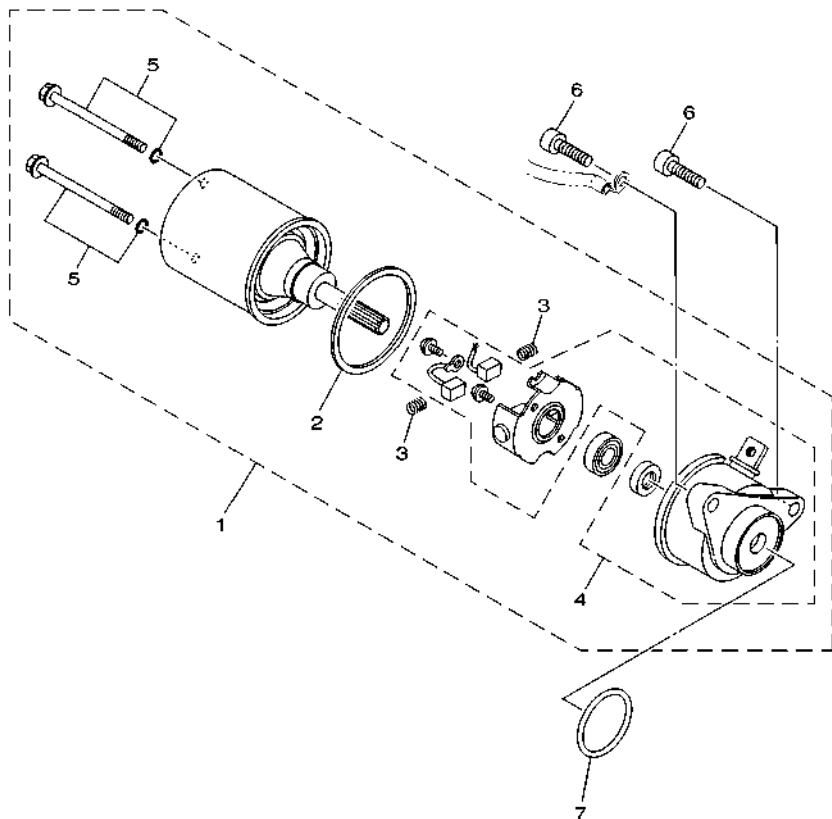

2PH1460-P300

FIG. 28 GENERATOR

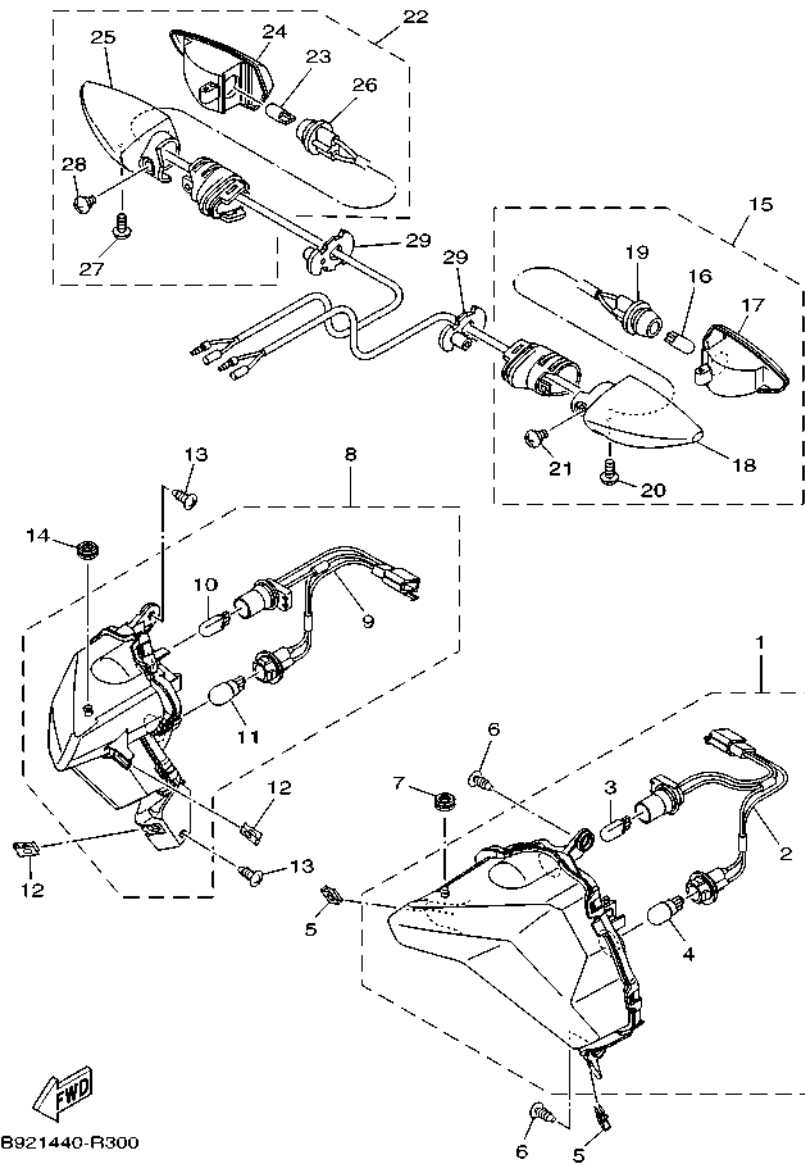
REF. NO.	PART NO.	DESCRIPTION	B924				REMARKS
1	2PH-H1450-20	ROTOR ASSY	1				
2	2PH-H1410-10	STATOR ASSY	1				
3	91332-06020	BOLT	3				
4	91332-06020	BOLT	2				
5	90201-12823	WASHER, PLATE	1				
6	90179-12004	NUT	1				

FIG. 29 STARTING MOTOR

REF. NO.	PART NO.	DESCRIPTION	B924				REMARKS
1	2SX-H1890-00	MOTOR ASSY	1				
2	1KP-H1847-00	.O-RING	1				
3	1KP-H1617-00	.SPRING, BRUSH	2				
4	2SX-H1830-00	.FRONT BRACKET ASSY	1				
5	2SX-H1828-00	.BOLT 2	2				
6	91332-06020	BOLT	2				
7	93210-29803	O-RING	1				



2SX1460-P290

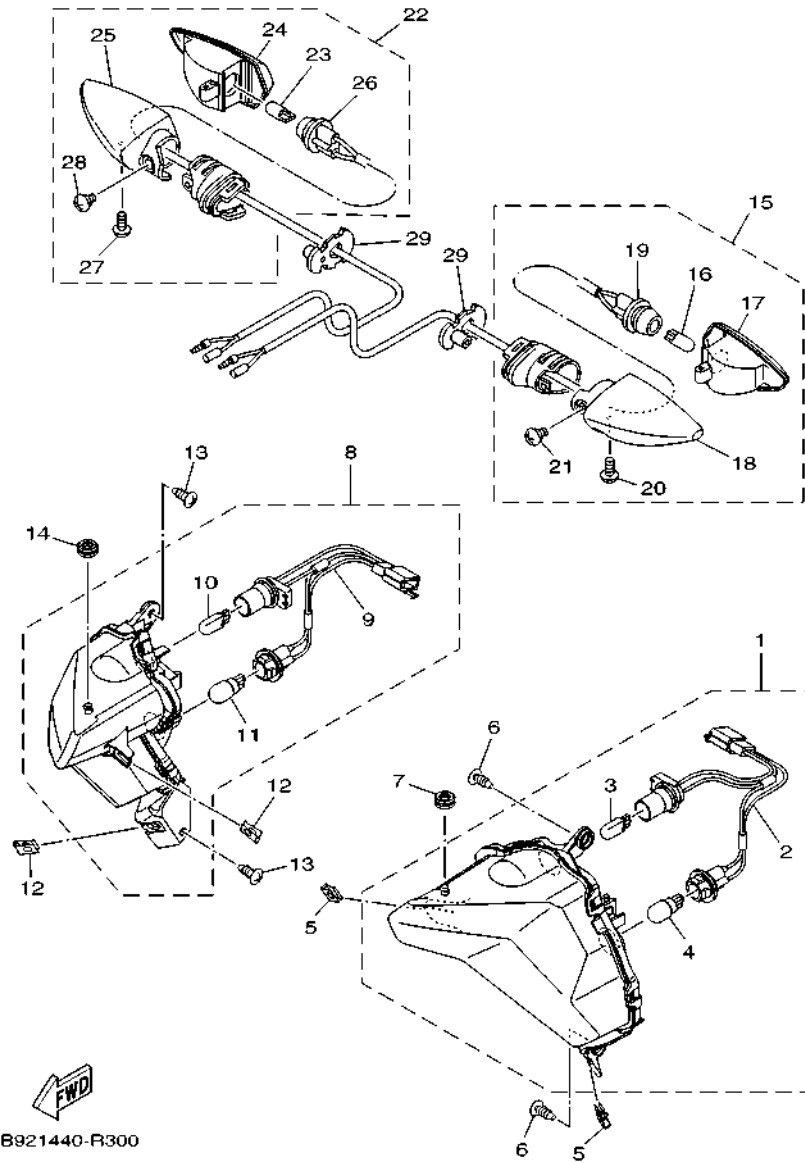


B921440-R300

FIG. 30 FLASHER LIGHT

REF. NO.	PART NO.	DESCRIPTION	B924	REMARKS
1	2SX-H3310-01	FRONT FLASHER LIGHT ASSY 1	1	
2	2SX-H331E-00	.CORD ASSY	1	
3	2DP-H4347-00	.BULB (12V-5W)	1	
4	2SX-H3311-00	.BULB, FLASHER (12V-10W)	1	
5	90183-05807	NUT, SPRING	2	
6	97707-50016	SCREW, TRUSS HEAD TAPPING	2	
7	55C-H4759-00	GROMMET	1	
8	2SX-H3320-01	FRONT FLASHER LIGHT ASSY 2	1	
9	2SX-H331E-00	.CORD ASSY	1	
10	2DP-H4347-00	.BULB (12V-5W)	1	
11	2SX-H3311-00	.BULB, FLASHER (12V-10W)	1	
12	90183-05807	NUT, SPRING	2	
13	97707-50016	SCREW, TRUSS HEAD TAPPING	2	
14	55C-H4759-00	GROMMET	1	
15	55D-H3330-01	REAR FLASHER LIGHT ASSY 1	1	
16	55D-H3311-00	.BULB, FLASHER (12V-10W)	1	
17	55D-H333A-00	.LENS COMP 1	1	
18	55D-H3323-00	.BODY	1	
19	55D-H333E-01	.CORD ASSY	1	
20	55D-H3333-00	.SCREW, LENS FITTING	1	
21	55D-H3358-00	.SCREW, SPECIAL	1	
22	55D-H3340-01	REAR FLASHER LIGHT ASSY 2	1	
23	55D-H3311-00	.BULB, FLASHER (12V-10W)	1	
24	55D-H334A-00	.LENS COMP 2	1	
25	55D-H332M-00	.BODY 2	1	
26	55D-H334E-01	.CORD ASSY	1	
27	55D-H3333-00	.SCREW, LENS FITTING	1	

FIG. 30 FLASHER LIGHT



REF. NO.	PART NO.	DESCRIPTION	B924				REMARKS
28	55D-H3358-00	.SCREW, SPECIAL	1				
29	1VP-H3318-00	STAY, FLASHER 1	2				

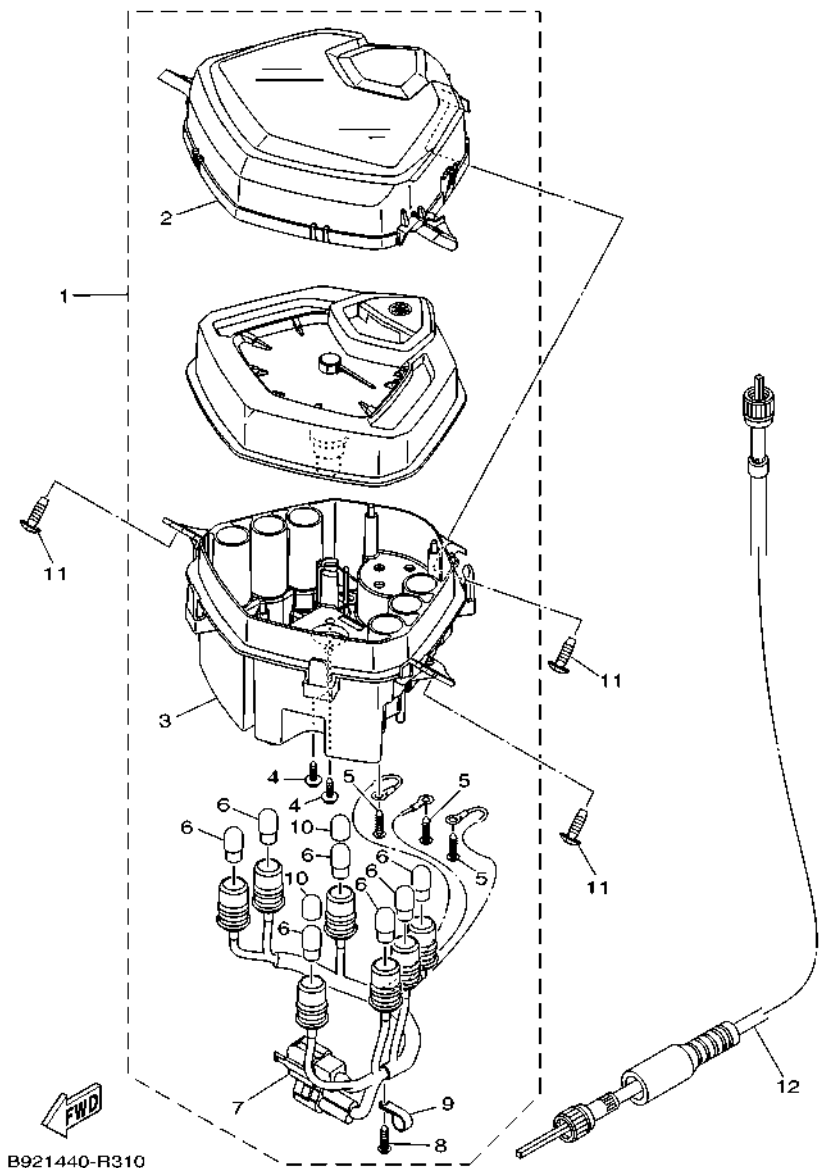
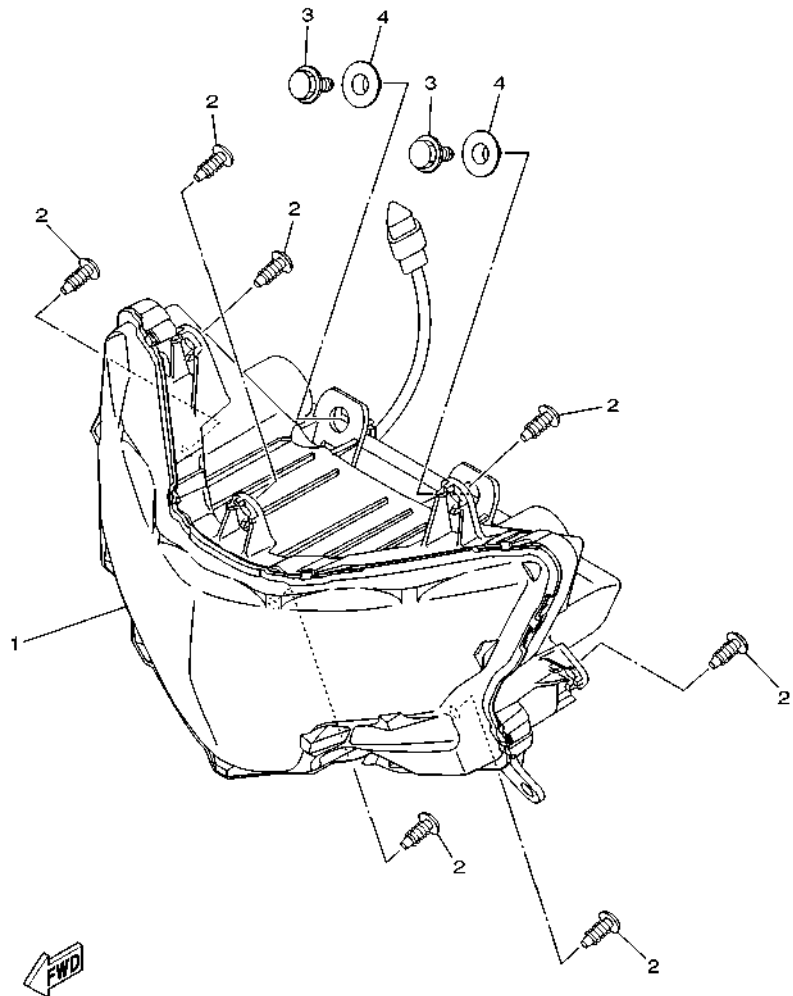


FIG. 31 METER

REF. NO.	PART NO.	DESCRIPTION	B924				REMARKS
1	B92-H3510-10	SPEEDOMETER ASSY	1				
2	B92-H3511-00	.LENS, SPEEDOMETER	1				
3	B92-H3572-00	.CASE, SPEEDOMETER LOWER	1				
4	1VP-H3358-00	.SCREW, SPECIAL	2				
5	1VP-H3645-00	.SCREW	3				
6	5LW-H3518-00	.BULB, METER (T10 12V-1.7W)	7				
7	B92-H3509-10	.SOCKET CORD ASSY	1				
8	97702-40012	.SCREW, TAPPING	1				
9	B92-H357E-00	.CLAMP	1				
10	1VP-H3606-00	.CAP, BULB	2				
11	97707-50016	SCREW, TRUSS HEAD TAPPING	3				
12	2BR-H3550-00	SPEEDOMETER CABLE ASSY	1				

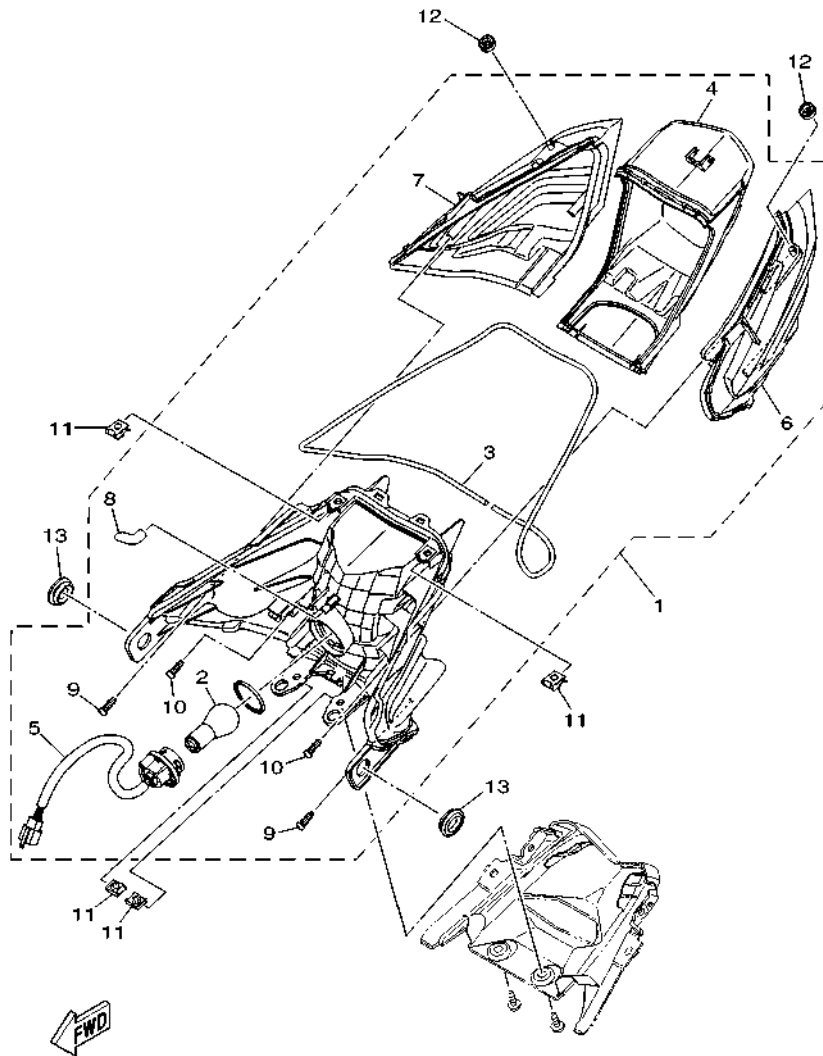
FIG. 32 HEADLIGHT



2SX1460-P320

REF. NO.	PART NO.	DESCRIPTION	B924			REMARKS
1	B92-H4300-00	HEADLIGHT ASSY	1			
2	97707-50016	SCREW, TRUSS HEAD TAPPING	7			
3	90119-06044	BOLT, WITH WASHER	2			
4	90387-07023	COLLAR	2			

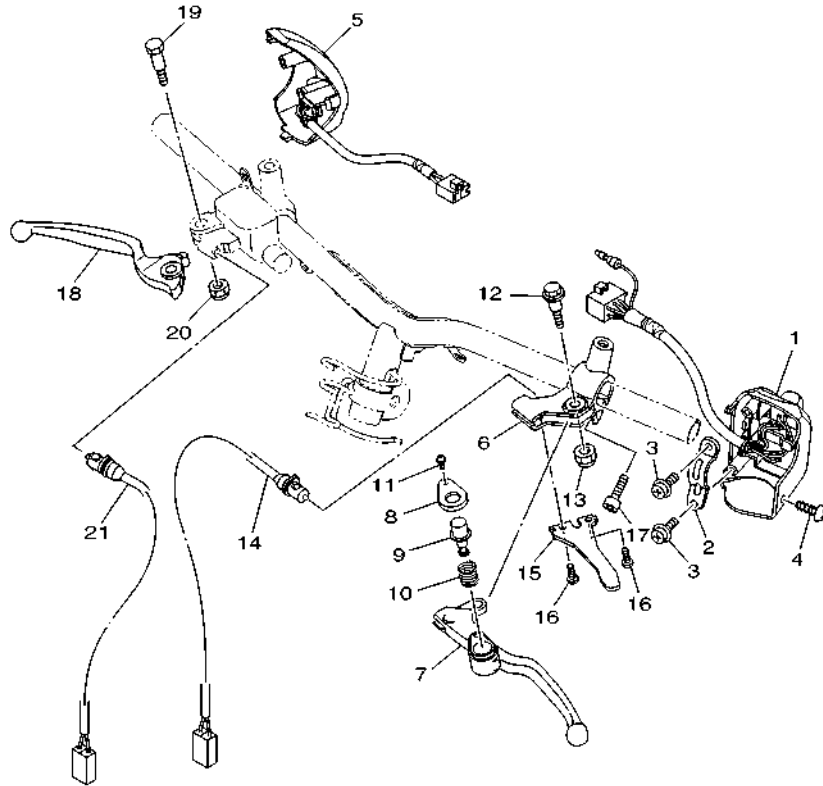
FIG. 33 TAILLIGHT



B921440-R330

REF. NO.	PART NO.	DESCRIPTION	B924				REMARKS
1	B92-H4710-00	TAILLIGHT UNIT ASSY	1				
2	1VP-H4714-00	.BULB, TAILLIGHT (12V-21/5W)	1				
3	B92-H4723-00	.GASKET, TAIL LENS	1				
4	B92-H4721-00	.LENS, TAILLIGHT	1				
5	B92-H4735-00	.SOCKET CORD ASSY	1				
6	B92-H4516-00	.COVER, TAILLIGHT	1				
7	B92-H4716-00	.COVER, TAILLIGHT	1				
8	55C-H3365-00	.CAP	1				
9	97707-40616	.SCREW, TAPPING	2				
10	97707-30616	.SCREW, TAPPING	2				
11	90183-05807	NUT, SPRING	4				
12	55C-H4759-00	GROMMET	2				
13	90480-01559	GROMMET	2				

FIG. 34 HANDLE SWITCH & LEVER




2SX1460-P340

REF. NO.	PART NO.	DESCRIPTION	B924				REMARKS
1	2SX-H3973-00	SWITCH, HANDLE 3	1				
2	1S8-H3955-01	BRACKET 1	1				
3	97602-05216	SCREW, PAN HEAD WITH WASHER	2				
4	97707-50016	SCREW, TRUSS HEAD TAPPING	1				
5	1KP-H3976-00	SWITCH, HANDLE 1	1				
6	1LB-H2911-20	HOLDER, LEVER 1	1				
7	1LB-H3912-00	LEVER 1	1				
8	1LB-H3935-00	COVER	1				
9	1LB-H3967-00	PIN, LOCK 1	1				
10	40D-H3962-00	SPRING	1				
11	40D-H396X-00	SCREW, LEVER FITTING	1				
12	90109-06798	BOLT	1				
13	95602-06100	NUT, SELF-LOCKING	1				
14	1LB-H3980-00	FRONT STOP SWITCH ASSY	1				
15	1LB-H2556-00	DAMPER, STOPPER	1				
16	98502-05010	SCREW, PAN HEAD	2				
17	91332-06020	BOLT	1				
18	2SX-H3922-00	LEVER 2	1				
19	90109-06255	BOLT	1				
20	95602-06100	NUT, SELF-LOCKING	1				
21	54P-H3980-00	FRONT STOP SWITCH ASSY	1				

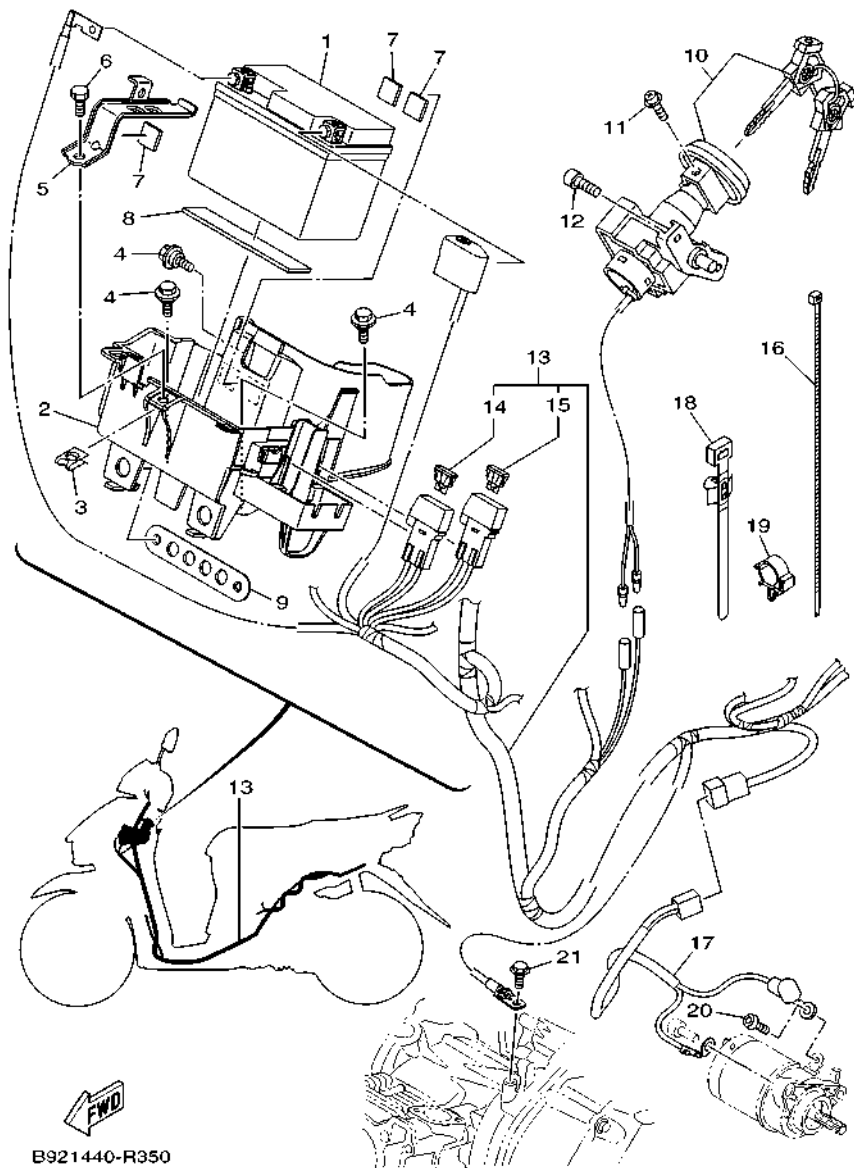
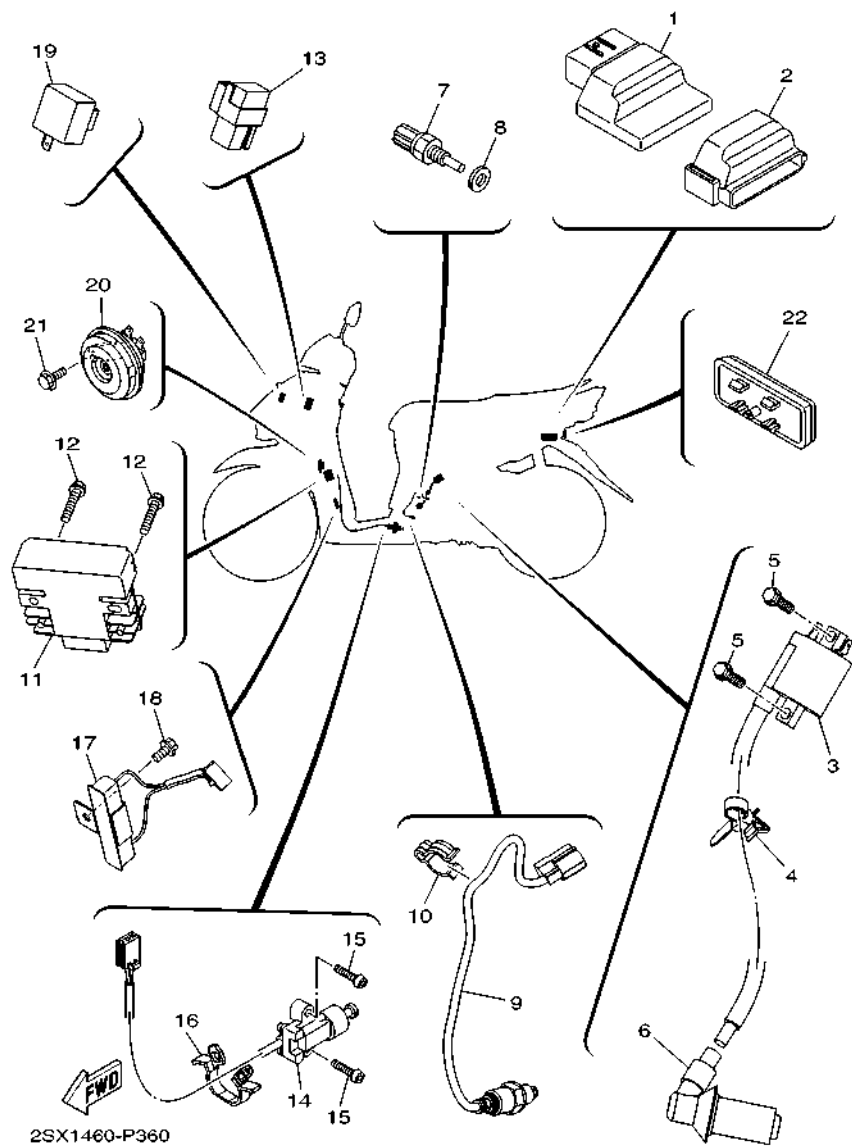


FIG. 35 ELECTRICAL 1

REF. NO.	PART NO.	DESCRIPTION	B924	REMARKS
1	2CB-H2100-01	BATTERY ASSY (YUASA YTZ4V)	1	UR
	55D-H2100-00	BATTERY ASSY (PINACO PTZ5S)	1	UR
2	2SX-H212B-00	BOX, BATTERY 1	1	
3	90183-06821	NUT, SPRING	1	
4	90109-06220	BOLT	3	
5	2BR-H2136-00	PLATE, BATTERY FITTING	1	
6	97002-06016	BOLT, HEXAGON	1	
7	90520-03801	DAMPER, PLATE	3	
8	90520-03828	DAMPER, PLATE	1	
9	B92-H4318-00	STAY, HEADLIGHT 1	1	
10	1VB-XH250-01	MAIN SW. STRG. LOCK SUB ASSY	1	
11	97602-05208	SCREW, PAN HEAD WITH WASHER	1	
12	90149-06309	SCREW	2	
13	B92-H2590-00	WIRE HARNESS ASSY	1	
14	1VP-H2151-00	.FUSE (15A)	1	
15	B92-H2151-00	.FUSE	1	
16	90464-70800	CLAMP	1	
17	B92-H183G-00	CORD COMP.	1	
18	90464-34002	CLAMP	1	
19	90464-16006	CLAMP	1	
20	92012-05008	BOLT, BUTTON HEAD	1	
21	95E32-06012	BOLT, FLANGE DEEP RECESS	1	

FIG. 36 ELECTRICAL 2



REF. NO.	PART NO.	DESCRIPTION	B924				REMARKS
1	2SX-H591A-00	ENGINE CONTROL UNIT ASSY	1				
2	2PH-H5546-00	BAND	1				
3	2PH-H2310-00	IGNITION COIL ASSY	1				
4	90464-12810	CLAMP	1				
5	95E32-06020	BOLT, FLANGE DEEP RECESS	2				
6	2PH-H2370-10	PLUG CAP ASSY	1				
7	54P-H3591-00	THERMO UNIT	1				
8	90430-10806	GASKET	1				
9	2DP-H592A-20	SENSOR, OXYGEN	1				
10	90464-16807	CLAMP	1				
11	2BL-H1960-00	RECTIFIER & REGULATOR ASSY	1				
12	95E32-06025	BOLT, FLANGE DEEP RECESS	2				
13	2PH-H1940-01	STARTER RELAY ASSY	1				
14	1LB-H2566-01	SWITCH, SIDE STAND	1				
15	91312-05016	BOLT, HEXAGON SOCKET HEAD	2				
16	90464-07805	CLAMP	1				
17	2SX-H5370-00	RESISTOR ASSY	1				
18	95E32-06010	BOLT, FLANGE DEEP RECESS	1				
19	5D9-H3350-00	FLASHER RELAY ASSY	1				
20	2PH-H3371-00	HORN	1				
21	95D02-06010	BOLT, FLANGE DEEP RECESS	1				
22	55D-H5130-00	REAR REFLECTOR ASSY	1				

NUMERICAL INDEX

PART NO.	REF. NO.	PART NO.	REF. NO.	PART NO.	REF. NO.	PART NO.	REF. NO.	PART NO.	REF. NO.	PART NO.	REF. NO.
1PM-14216-00	7 - 19	2PH-E2241-00	4 - 11	2PH-E5316-00	10 - 13	2PH-E7421-10	13 - 3	B92-F174J-70	16 - 17	1KL-F3412-10	18 - 22
5LW-15659-01	10 - 6	2PH-E2611-10	5 - 10	54P-E5351-00	6 - 4	2PH-E7465-00	12 - 13	B92-F174J-80	16 - 17	4RT-F3412-10	18 - 24
36Y-2589H-00	25 - 8	2PH-E2651-00	5 - 1	2PH-E5362-10	9 - 19	2PH-E7465-10	12 - 14	B92-F174J-90	16 - 17	54P-F3415-00	18 - 28
B92-E1102-00	1 - 1	2PH-E2652-00	5 - 3	5LW-E5363-00	9 - 16	2SX-E7611-10	12 - 6	B92-F174K-60	16 - 18	2WB-F3416-00	18 - 27
2PH-E111F-00	4 - 4	2PH-E2653-00	5 - 4	54P-E5371-00	9 - 6	2PH-E7620-00	12 - 1	B92-F174K-70	16 - 18	1P6-F341E-10	18 - 26
2BM-E111G-00	1 - 12	2PH-E2658-00	5 - 2		10 - 3	2PH-E7623-00	12 - 3	B92-F174K-80	16 - 18	5VL-F341E-10	18 - 23
2PH-E112F-00	4 - 5	2PH-E2659-10	5 - 6	2PH-E5373-00	9 - 7	2SX-E7632-10	12 - 2	B92-F174K-90	16 - 18	B92-F4110-00	19 - 1
1DR-E1133-10	1 - 2	2SX-E2659-10	5 - 6	2PH-E5373-00	9 - 7	2PH-E7641-00	12 - 25	B92-F179J-60	16 - 19	5D9-F414G-00	14 - 2
2PH-E1165-00	1 - 8	2PH-E2668-10	5 - 7	2PH-E5407-00	10 - 16	2PH-E7644-00	12 - 19	B92-F179J-70	16 - 19		19 - 3
2PH-E1166-10	7 - 36	2PH-E3300-10	6 - 1	B92-E5411-00	10 - 1	2PH-E7645-10	12 - 30	B92-F179J-80	16 - 19	B92-F414G-00	19 - 13
2SX-E1166-10	7 - 36	2BM-E3324-10	2 - 8	2PH-E5413-00	10 - 19	2PH-E7653-00	12 - 4	B92-F179J-90	16 - 19	54P-F414G-10	19 - 9
2PH-E1169-00	1 - 9	54P-E3411-00	6 - 5	2PH-E5417-00	9 - 21	B92-E7660-00	12 - 11	B92-F179K-60	16 - 20	5D9-F414G-10	19 - 2
2BL-E1181-00	1 - 16	5LW-E3452-00	2 - 6	2PH-E5421-00	9 - 34	2PH-E7664-00	12 - 15	B92-F179K-70	16 - 20	B92-F41B1-00	19 - 12
2PH-E1191-00	1 - 7	BF4-E3475-00	6 - 2	2PH-E5423-00	9 - 28	2PH-E7668-00	12 - 20	B92-F179K-80	16 - 20	B92-F4491-00	19 - 10
2BM-E1193-00	1 - 13	2PH-E3556-10	7 - 3	2PH-E5451-10	10 - 2	B92-E7670-00	12 - 12	B92-F179K-90	16 - 20	4YY-F4610-00	19 - 17
2PH-E119E-10	1 - 11	2PH-E3557-10	7 - 14	2PH-E5453-10	9 - 24	2PH-E7674-00	12 - 5	54P-F2141-00	14 - 8	4YY-F4612-00	19 - 18
2PH-E1311-10	1 - 20	5LW-E3569-00	5 - 12	2PH-E5461-10	9 - 35	2PH-E7674-10	12 - 16	10C-F2210-30	17 - 1	2SX-F470F-00	20 - 2
2PH-E1351-10	1 - 21	2PH-E3585-10	7 - 1	2PH-E5471-00	10 - 12	2PH-E7678-00	12 - 21	5MX-F2216-00	9 - 4	2WB-F4727-00	20 - 10
2PH-E1400-31	2 - 1	2PH-E3593-00	7 - 5	2PH-E5472-00	10 - 14	2PH-E7678-10	12 - 23	B92-F2865-00-P0	27 - 4	B92-F472T-00	20 - 20
2PH-E1400-60	2 - 1	2PH-E3595-00	7 - 2	2PH-E5473-00	10 - 11	2PH-E7683-00	12 - 17	B92-F2865-00-P1	27 - 4	2SX-F4730-00	20 - 1
2PH-E1422-10	2 - 5	2PH-E3750-00	7 - 17	2PH-E5495-00	10 - 15	2PH-E7684-00	12 - 18	B92-F2865-00-P5	27 - 4	2SX-F473R-00	20 - 5
2PH-E1422-20	2 - 5	2PH-E3761-10	7 - 9	2BM-E5512-00	11 - 4	B92-F1110-00	14 - 1	B92-F2865-00-P6	27 - 4	3C1-F4741-00	20 - 3
2PH-E1603-10	2 - 13	5LW-E3769-00	9 - 20	2PH-E5520-20	11 - 1	2PH-F1410-20	14 - 3	B92-F3100-00	18 - 1	5BP-F4741-00	20 - 4
2PH-E1631-00	2 - 10	2PH-E3770-10	7 - 8	1GC-E5521-00	11 - 5	54P-F1459-00	14 - 5	B92-F3110-00	18 - 8	B92-F474A-00-P1	20 - 16
2PH-E1633-00	2 - 11	2PH-E3907-00	19 - 6	44D-E5521-00	11 - 5	B92-F1511-00-P0	15 - 1	1FC-F3111-10	18 - 19	B92-F474A-00-P2	20 - 16
2PH-E1651-20	2 - 4	54P-E3915-00	19 - 7	2PH-E5570-00	11 - 2	B92-F1511-00-P4	15 - 1	B92-F3126-00	18 - 5	B92-F474A-00-P3	20 - 16
2BM-E1681-10	2 - 2	54P-E3938-00	7 - 12	2PH-E5570-11	11 - 2	B92-F1511-00-P5	15 - 1	B92-F3136-00	18 - 2	B92-F474A-00-P4	20 - 16
2PH-E2111-00	3 - 1	2PH-E3971-00	19 - 5	1GC-E5598-00	11 - 3	B92-F1511-00-P6	15 - 1	31B-F313B-00	27 - 28	B92-F474W-00-P1	20 - 18
54P-E2113-00	3 - 4	54P-E4137-00	7 - 13	44D-E5598-00	11 - 3	15K-F1518-00	15 - 3	B92-F3141-00	18 - 15	B92-F474W-00-P2	20 - 18
1KP-E2117-00	3 - 6	2PH-E4146-00	7 - 20	2PH-E5601-10	11 - 6	B92-F1518-00	18 - 34	5LL-F3144-00	18 - 14	B92-F474W-00-P3	20 - 18
54P-E2117-00	3 - 6	54P-E4147-00	7 - 10	2BL-E5620-10	11 - 12	2SX-F1552-00	27 - 16	4UV-F3145-00	18 - 3	B92-F474W-00-P4	20 - 18
5TL-E2118-00	3 - 5	5CA-E4147-00	7 - 11	2PH-E5630-00	11 - 14	B92-F1568-00	27 - 33		18 - 6	1S8-F4768-00	20 - 13
54P-E2119-00	3 - 3	2PH-E4411-00	7 - 21	5MX-E5657-00	12 - 32	B92-F1611-10	15 - 4	2JG-F3147-00	18 - 20	40D-F4780-01	20 - 11
2PH-E2121-10	3 - 2	2PH-E4412-00	7 - 22	1GC-E5659-00	10 - 6	B92-F1621-00	15 - 6	5TF-F3152-00	18 - 11	2SX-F478E-10	20 - 14
2PH-E2126-00	3 - 7	2PH-E4437-00	7 - 23	5MX-E5673-00	11 - 15	B92-F1668-00	27 - 34	31D-F3153-00	18 - 21	2SX-F482H-00	20 - 8
2PH-E2146-00	3 - 11	4ST-E443E-00	10 - 4	2PH-E5744-00	12 - 22	B92-F1711-00-P5	16 - 3	5P0-F3156-00	18 - 4	1VB-F5168-00-0X	21 - 1
2PH-E2151-00	3 - 8	5TL-E443E-00	7 - 30	2PH-E6111-00	13 - 9	B92-F1711-00-P6	16 - 3		18 - 7	1VB-F5168-00-P0	21 - 1
33S-E2159-01	3 - 10	5TP-E443G-00	7 - 27	2PH-E6111-10	13 - 9	B92-F1711-00-P7	16 - 3	2JG-F3157-00	18 - 10	2SX-F5181-00	21 - 8
33S-E2159-10	3 - 10	2PH-E4450-20	7 - 24	2PH-E6523-00	12 - 9	B92-F171E-00	16 - 15	509-F3158-L0	18 - 12	5TL-F5190-01	21 - 10
2PH-E2170-00	4 - 1	2PH-E4452-00	7 - 26	2PH-E6611-00	12 - 24	B92-F1721-00-P5	16 - 5	B92-F3170-00	18 - 9	5LW-F530K-00	23 - 7
2PH-E2176-01	4 - 8	2PH-E4453-00	7 - 25	B92-E6620-00	12 - 7	B92-F1721-00-P6	16 - 5	31D-F3181-50	18 - 13	1GC-F5326-00	23 - 4
2BM-E2210-10	4 - 12	B92-E4613-00	8 - 4	2PH-E6626-00	12 - 8	B92-F1721-00-P7	16 - 5	B92-F3340-00	18 - 16	54P-F5326-00	23 - 4
2BM-E2210-20	4 - 12	B92-E4711-00	8 - 1	2PH-E6819-00	12 - 10	2SX-F172W-00	16 - 1	4D0-F3346-00	18 - 18	44P-F5338-00-0X	23 - 1
2PH-E2213-10	4 - 14	B92-E4718-00	8 - 2	2PH-E7211-00	13 - 4	B92-F172X-00	16 - 21	B92-F3391-00-P4	27 - 1	44P-F5338-00-P0	23 - 1
5MX-E2222-00	4 - 13	2PH-E5113-00	9 - 18	2PH-E7211-10	13 - 4	B92-F1731-00	16 - 7	B92-F3391-00-P5	27 - 1	5LW-F533A-00	23 - 12
52B-E2228-00	4 - 16	2PH-E5150-00	9 - 1	2PH-E7410-00	13 - 1	B92-F1737-00	24 - 34	B92-F3391-00-P6	27 - 1	10C-F5351-00	23 - 10
54P-E2228-00	4 - 16	2PH-E5155-00	9 - 2	2PH-E7410-10	13 - 1	B92-F1741-00	16 - 10	4FP-F3411-10	18 - 17	B92-F5355-00	23 - 11
54P-E2231-00	4 - 10	2PH-E5191-10	10 - 7	2PH-E7421-00	13 - 3	B92-F174J-60	16 - 17	4RT-F3411-10	18 - 25	2BM-F5802-00	22 - 4

NUMERICAL INDEX

PART NO.	REF. NO.	PART NO.	REF. NO.	PART NO.	REF. NO.	PART NO.	REF. NO.	PART NO.	REF. NO.	PART NO.	REF. NO.
5YP-F5803-50	22 - 5	B92-F7441-00	26 - 27	1VP-H2151-00	35 - 14	1LB-H3935-00	34 - 8	90110-06846	7 - 16	90201-16817	12 - 36
2BM-F5805-00	22 - 9	B92-F7442-00	26 - 28	B92-H2151-00	35 - 15	1S8-H3955-01	34 - 2	90110-06868	1 - 19	90201-220J8	23 - 17
2SX-F580U-10	22 - 3	2SX-F7481-00	26 - 7	2PH-H2310-00	36 - 3	40D-H3962-00	34 - 10	90111-06811	8 - 3	90206-14093	23 - 13
5TL-F582U-10	22 - 1	1VB-F8100-00	20 - 21	2PH-H2370-10	36 - 6	1LB-H3967-00	34 - 9	90111-06865	27 - 13	90208-12808	12 - 33
5P0-F583T-03	25 - 4	B92-F8257-00	27 - 11	1LB-H2556-00	34 - 15	40D-H396X-00	34 - 11	90111-08853	22 - 2	90249-12008	24 - 30
5P0-F5852-00	25 - 7	2SX-F8300-00	27 - 10	1LB-H2566-01	36 - 14	2SX-H3973-00	34 - 1	90116-08843	9 - 11	90269-06816	19 - 16
5P0-F5854-00	25 - 6	2SX-F8311-00	27 - 7	B92-H2590-00	35 - 13	1KP-H3976-00	34 - 5	90119-06044	32 - 3	90280-03017	2 - 9
5P0-F5855-00	25 - 10	B92-F8345-00-P5	27 - 18	1LB-H2911-20	34 - 6	1LB-H3980-00	34 - 14	90119-06155	19 - 4	90340-12816	9 - 12
5TL-F5867-01	25 - 9	B92-F8345-00-P6	27 - 18	2SX-H3310-01	30 - 1	54P-H3980-00	34 - 21	90149-05801	1 - 10	90380-10803	12 - 27
2SX-F5872-00	25 - 1	B92-F8345-00-P7	27 - 18	2SX-H3311-00	30 - 4	B92-H4300-00	32 - 1	90149-06309	35 - 12	90380-15811	11 - 8
B92-F5875-00	18 - 30	B92-F8346-00-P5	27 - 23		30 - 11	B92-H4318-00	35 - 9	90159-06810	16 - 16	90387-05820	16 - 13
B92-F5876-00	18 - 32	B92-F8346-00-P6	27 - 23	55D-H3311-00	30 - 16	2DP-H4347-00	30 - 3	90170-05803	3 - 9	90387-064W3	7 - 31
2BM-F5917-00	22 - 6	B92-F8346-00-P7	27 - 23		30 - 23		30 - 10	90170-12800	12 - 34	90387-07023	32 - 4
2BM-F5919-00	22 - 11	2SX-F835U-00	27 - 21	1VP-H3318-00	30 - 29	B92-H4516-00	33 - 6	90170-12803	12 - 29	90387-08820	26 - 14
5YP-F5924-10	22 - 12	2SX-F835V-00	27 - 26	2SX-H331E-00	30 - 2	B92-H4710-00	33 - 1	90179-06411	24 - 29	90387-10277	21 - 7
5YP-F5925-01	22 - 10	B92-F8373-00	27 - 12		30 - 9	1VP-H4714-00	33 - 2	90179-12004	28 - 6	90388-08803	9 - 4
5YP-F5937-00	22 - 7	B92-F8385-00	27 - 14	2SX-H3320-01	30 - 8	B92-H4716-00	33 - 7	90179-25002	18 - 29	90388-10800	14 - 4
2SX-F6110-00	24 - 1	B92-F8391-60	27 - 29	55D-H3323-00	30 - 18	B92-H4721-00	33 - 4		15 - 7	90388-10805	9 - 5
B92-F6113-00	24 - 2	B92-F8391-70	27 - 29	55D-H332M-00	30 - 25	B92-H4723-00	33 - 3		16 - 4	90401-10812	25 - 2
B92-F6143-00-P0	24 - 6	B92-F8391-80	27 - 29	55D-H3330-01	30 - 15	B92-H4735-00	33 - 5		16 - 6	90430-06803	1 - 5
B92-F6143-00-P1	24 - 6	B92-F8391-90	27 - 29	55D-H3333-00	30 - 20		30 - 7		16 - 9		9 - 15
B92-F6143-00-P5	24 - 6	B92-F8392-60	27 - 30		30 - 27		30 - 14		16 - 12	90430-10806	36 - 8
B92-F6143-00-P6	24 - 6	B92-F8392-70	27 - 30	55D-H333A-00	30 - 17		33 - 12		16 - 22	90430-12803	9 - 13
2SX-F6145-00	24 - 9	B92-F8392-80	27 - 30	55D-H333E-01	30 - 19	2FC-H5111-00	15 - 8		20 - 7	90450-46803	7 - 34
B92-F6240-00	24 - 15	B92-F8392-90	27 - 30	55D-H3340-01	30 - 22	55D-H5130-00	36 - 22		24 - 3	90464-07805	36 - 16
1VP-F6241-00	24 - 16	B92-F8393-60	27 - 31	55D-H334A-00	30 - 24	2SX-H5370-00	36 - 17		24 - 7	90464-12810	36 - 4
B92-F6246-00	24 - 17	B92-F8393-70	27 - 31	55D-H334E-01	30 - 26	2PH-H5546-00	36 - 2		24 - 10	90464-16006	35 - 19
B92-F6257-00	24 - 25	B92-F8393-80	27 - 31	5D9-H3350-00	36 - 19	2PH-H5752-00	19 - 8		24 - 13	90464-16807	36 - 10
	26 - 17	B92-F8393-90	27 - 31	1VP-H3358-00	31 - 4	2PH-H5885-00	7 - 18		26 - 9	90464-34002	35 - 18
2WB-F6280-00	24 - 18	B92-F8394-30	27 - 32	55D-H3358-00	30 - 21	2SX-H591A-00	36 - 1		27 - 2	90464-70800	35 - 16
55D-F6281-00	24 - 31	B92-F8394-40	27 - 32		30 - 28	2DP-H592A-20	36 - 9		27 - 5	90467-110A3	10 - 5
55D-F6282-00	24 - 32	B92-F8394-50	27 - 32	55C-H3365-00	33 - 8	5P0-W0041-00	25 - 5		27 - 19	90467-11825	9 - 8
2WB-F6290-00	24 - 19	B92-F8394-60	27 - 32	2PH-H3371-00	36 - 20	4C9-W0048-00	22 - 8		27 - 24	90467-12807	7 - 28
2SX-F6301-10	24 - 20	2PH-H1410-10	28 - 2	B92-H3509-10	31 - 7	1VB-XH250-01	35 - 10		30 - 5	90467-13808	7 - 37
2SX-F6351-00	24 - 23	2PH-H1450-20	28 - 1	B92-H3510-10	31 - 1	90101-06046	23 - 14		30 - 12	90467-13858	7 - 38
B92-F637G-00	24 - 24	1KP-H1617-00	29 - 3	B92-H3511-00	31 - 2	90101-08847	26 - 13		33 - 11	90480-01559	33 - 13
B92-F7111-00	26 - 1	2SX-H1828-00	29 - 5	5LW-H3518-00	31 - 6	90105-07801	4 - 7	90183-06821	35 - 3	90480-13013	7 - 32
2PH-F7112-00	26 - 2	2SX-H1830-00	29 - 4	2BR-H3550-00	31 - 12	90105-088H4	17 - 2	90185-05803	15 - 9	90501-12743	26 - 21
2PH-F7114-00	14 - 6	B92-H183G-00	35 - 17	B92-H3559-00-P4	24 - 12	90105-10831	22 - 13	90185-10011	24 - 5		26 - 29
1GC-F7121-00	9 - 3	1KP-H1847-00	29 - 2	B92-H3559-00-P5	24 - 12	90105-10896	24 - 4	90185-16800	23 - 15	90501-16003	24 - 28
54P-F7121-00	9 - 3	2SX-H1890-00	29 - 1	B92-H3559-00-P6	24 - 12	90105-108B2	14 - 7	90201-10065	17 - 5	90501-16004	6 - 6
5LW-F7254-00	26 - 5	2PH-H1940-01	36 - 13		31 - 3	90109-06220	35 - 4	90201-10118	25 - 3	90506-12001	23 - 8
B92-F7267-00	26 - 6	2BL-H1960-00	36 - 11	B92-H357E-00	31 - 9	90109-06255	34 - 19	90201-10831	14 - 10	90506-15001	23 - 9
B92-F7311-00	26 - 12	55D-H2100-00	35 - 1	54P-H3591-00	36 - 7	90109-06798	34 - 12	90201-12028	17 - 4	90506-20514	26 - 16
B92-F7430-00	26 - 18	2CB-H2100-01	35 - 1	1VP-H3606-00	31 - 10	90109-068B4	20 - 6	90201-12823	28 - 5	90506-35821	26 - 4
B92-F7431-00	26 - 19	5D9-H2126-00	19 - 14	1VP-H3645-00	31 - 5	90109-068B5	15 - 2	90201-154E8	11 - 9	90508-32768	11 - 7
B92-F7432-00	26 - 20	2SX-H212B-00	35 - 2	1LB-H3912-00	34 - 7		15 - 5	90201-15846	12 - 35	90520-02819	27 - 8
B92-F7440-00	26 - 26	2BR-H2136-00	35 - 5	2SX-H3922-00	34 - 18		26 - 10	90201-16810	23 - 16	90520-03801	35 - 7

NUMERICAL INDEX

PART NO.	REF. NO.	PART NO.	REF. NO.	PART NO.	REF. NO.	PART NO.	REF. NO.	PART NO.	REF. NO.	PART NO.	REF. NO.
90520-03828	35 - 8	93306-001YE	4 - 3	95D32-06090	10 - 18	97707-50016	30 - 6				
90520-05819	5 - 5	93306-201YK	13 - 10	95D32-08055	8 - 6		30 - 13				
90520-08004	26 - 8	93306-201YR	13 - 10	95E32-06010	1 - 4		31 - 11				
90520-08812	19 - 19	93306-204XT	13 - 11		10 - 8		32 - 2				
90520-10825	7 - 33	93306-204XV	13 - 11		20 - 12		34 - 4				
90560-10292	21 - 2	93306-252YB	12 - 26		36 - 18	97707-50025	7 - 29				
91312-05016	36 - 15	93306-272YA	13 - 5	95E32-06012	35 - 21	98502-05010	34 - 16				
91312-06012	4 - 6	93306-300X8	21 - 4	95E32-06014	24 - 27	98502-05016	24 - 21				
91312-06025	25 - 11	93306-303YN	13 - 8	95E32-06020	4 - 15	98502-05020	6 - 3				
91332-05010	19 - 11	93306-303YS	13 - 8		5 - 8	98502-05025	24 - 33				
91332-06020	28 - 3	93306-351Y5	13 - 2		9 - 27	98507-05010	20 - 15				
	28 - 4	93306-372X5	2 - 7		10 - 21	99002-09600	26 - 3				
	29 - 6	93310-528YP	2 - 3		36 - 5	99009-15400	11 - 10				
	34 - 17	93440-10153	1 - 3	95E32-06025	9 - 32	99009-25400	13 - 7				
91332-06025	11 - 13	93450-14088	2 - 12		36 - 12	99009-35700	12 - 28				
91401-25015	26 - 24	93501-04823	26 - 22	95E32-06035	9 - 33	99480-05010	9 - 25				
	26 - 32		26 - 30		9 - 37						
91701-08035	26 - 23	93900-00817	21 - 6		10 - 10						
	26 - 31		23 - 3	95E32-06040	24 - 26						
91810-14809	1 - 17	94107-14808	21 - 5	95E32-06045	10 - 20						
	1 - 18	94109-14804	23 - 2	95E32-06060	9 - 10						
	9 - 9	94568-J7092	4 - 9	95E32-06070	9 - 26						
	9 - 31	94700-00372	1 - 15	97002-06016	35 - 6						
	9 - 36	95302-08600	1 - 14	97602-05208	35 - 11						
	10 - 9	95302-10600	17 - 3	97602-05216	34 - 3						
91A20-07065	19 - 15	95602-06100	34 - 13	97702-40012	31 - 8						
92012-05008	35 - 20		34 - 20	97702-60530	5 - 9						
92012-05010	24 - 22	95602-08200	26 - 15	97707-30616	33 - 10						
93102-15801	11 - 11	95602-10200	14 - 9	97707-40616	33 - 9						
93102-19814	9 - 22		21 - 9	97707-50016	16 - 2						
93102-19817	9 - 22	95612-08618	1 - 6		16 - 8						
93102-20815	13 - 12	95702-08500	8 - 5		16 - 11						
93102-20816	13 - 12	95702-10500	23 - 5		16 - 14						
93102-25816	9 - 29	95812-06040	9 - 14		16 - 23						
93102-25819	9 - 29	95D02-06010	18 - 31		20 - 9						
93102-32801	13 - 6		18 - 35		24 - 8						
93102-32809	13 - 6		36 - 21		24 - 11						
93106-20808	21 - 3	95D02-08030	26 - 25		24 - 14						
93210-07802	23 - 6		26 - 33		26 - 11						
93210-09806	4 - 2	95D32-06012	18 - 33		27 - 3						
93210-148H8	9 - 17	95D32-06016	5 - 11		27 - 6						
93210-16805	12 - 31	95D32-06020	10 - 17		27 - 9						
93210-29800	6 - 7		20 - 17		27 - 15						
93210-29803	29 - 7		20 - 19		27 - 17						
93210-35883	7 - 4	95D32-06025	7 - 15		27 - 20						
93211-07800	9 - 23		7 - 35		27 - 22						
93211-47801	9 - 30	95D32-06035	7 - 6		27 - 25						
93306-001X9	4 - 3	95D32-06045	7 - 7		27 - 27						